

Ordering Instructions	7-30
Hinge Kits	7-31—7-34
Bumper Kits	7-35—7-36
Seat/Kits Cross Reference	7-37—7-40

Toilet Seat Replacement Parts

Ordering Instructions

1.—Hinge Kits

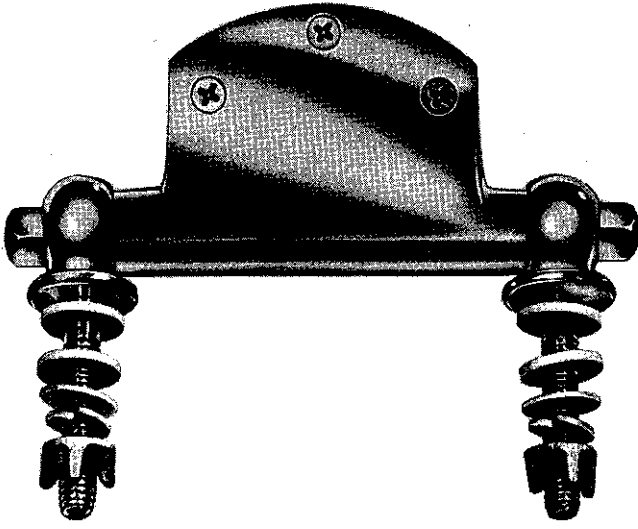
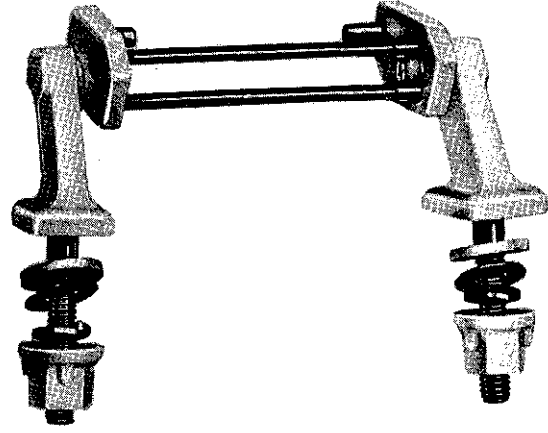
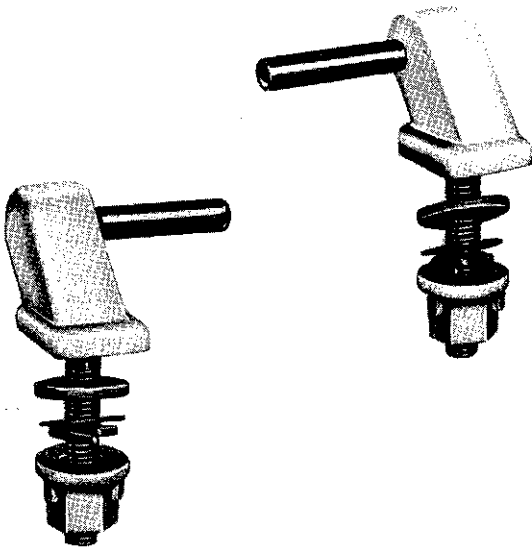
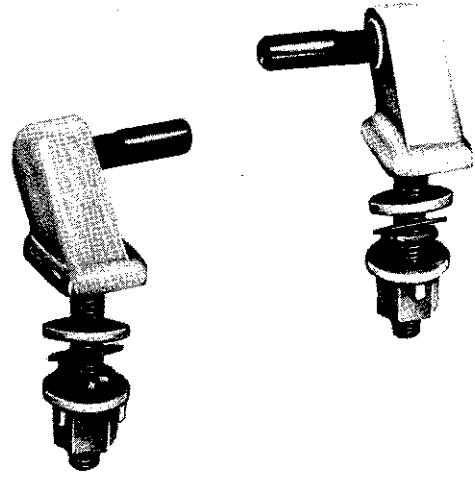
Select kit required either from illustrations shown on pages SP9-3 thru SP9-6 or from Seat/Parts Cross Reference List, pages SP9-9 thru SP9-12.

Note:—Be sure to specify color desired.

2.—Bumper Kits

Select kit required either from illustrations shown on pages SP9-7 thru SP9-8 or from Seat/Parts Cross Reference List, pages SP9-9 thru SP9-12.

Note:—Specify whether white or black is desired.

part number	description	part number	description
48000	Self-raising w/screws (116)	48001	L & R posts w/screws (250)
			
48002	L & R posts, no check (310A)	48003	L & R posts w/check (311)
		<p>48043 for 9400KSSC, Posturemold only (312) (with higher base)</p> 	

Nut and Washer Kit consisting of:-
 (2) Rubber Washers, (2) Brass Washers,
 (2) Lockwashers & (2) Nuts - #48114-07

Hinge Kits

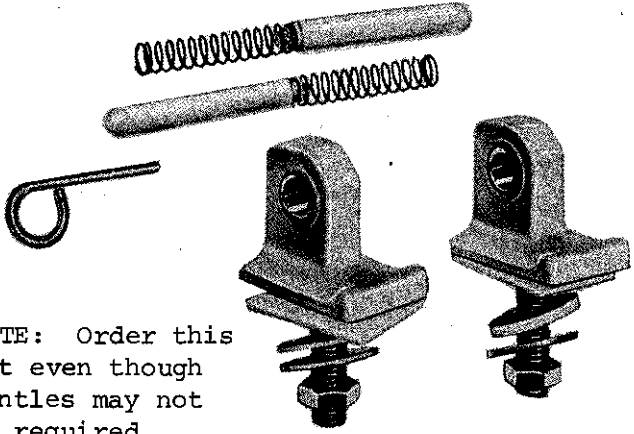
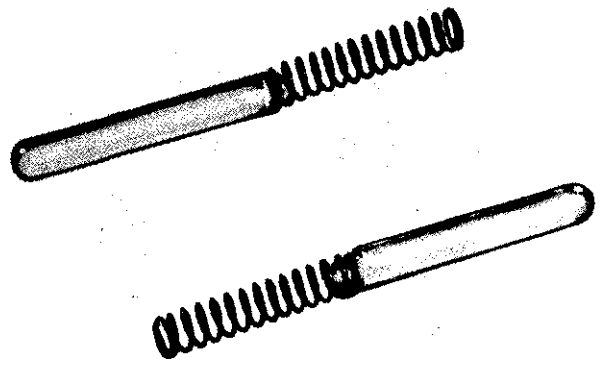
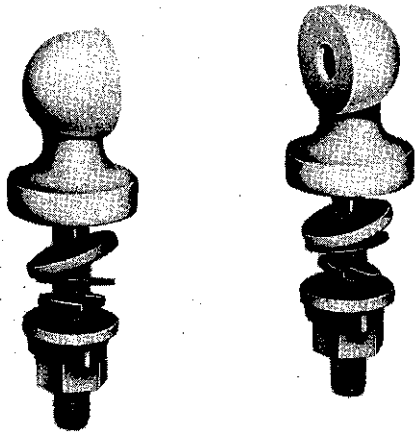
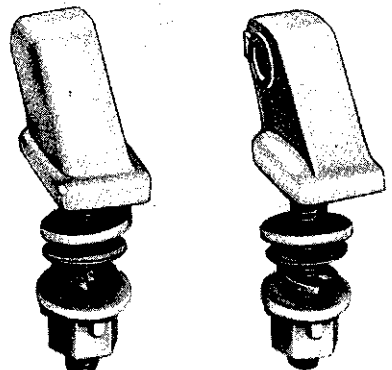
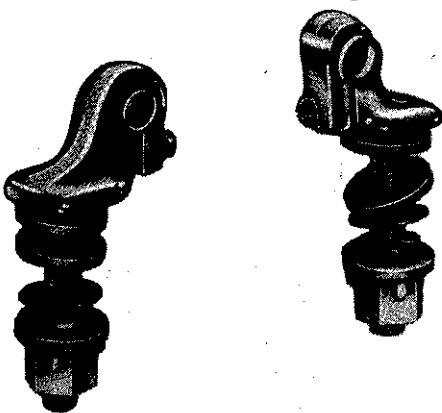
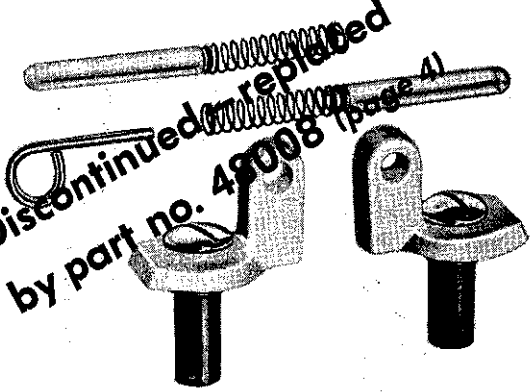
KISSLER & CO., INC.

part number	description	part number	description
48004	L & R posts, self-sustaining (330)	48005	L & R posts 8 3/4 to 9" c/c (505)
48006	L & R posts w/check (509)	48007	L & R posts w/screws (640)
48008	Two posts w/pintles (1970)		48011

NOTE: Order this Kit even though pintles may not be required.

NOTE: Order this Kit even though pintles may not be required.

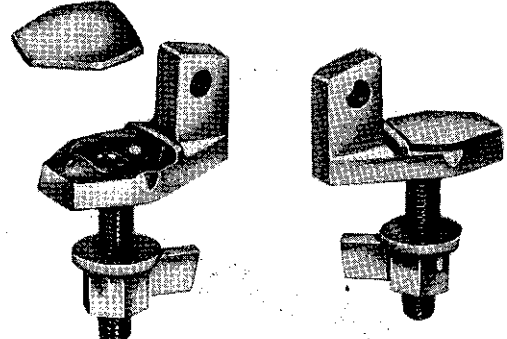
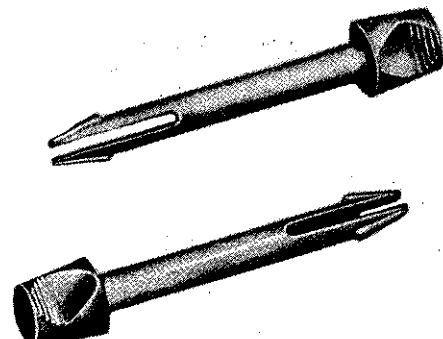
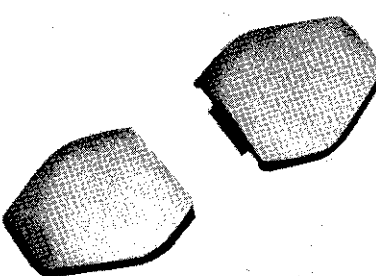
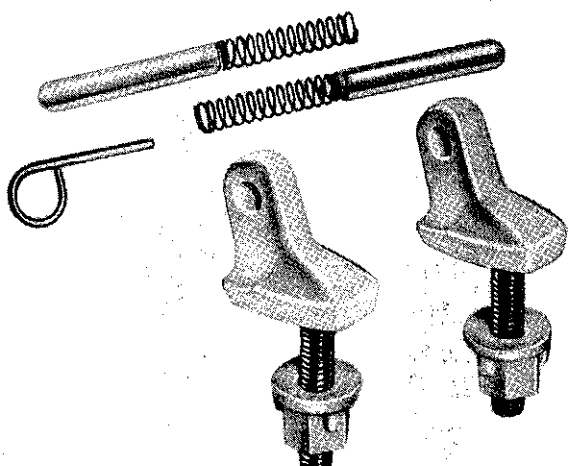
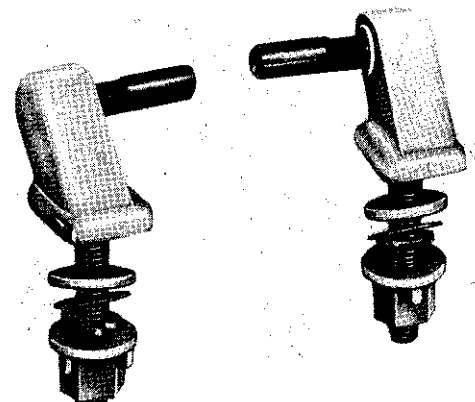
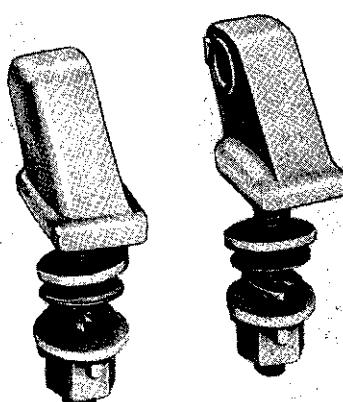
Nut and Washer Kit consisting of:-
 (2) Rubber Washers, (2) Brass Washers,
 (2) Lockwashers & (2) Nuts - #48114-07

part number	description	part number	description
48013	Two posts w/pintles (2964)		48014 Two pintles w/springs (3122)
 <p data-bbox="155 672 422 798">NOTE: Order this Kit even though pintles may not be required.</p>		48015	48016 L & R posts w/check (3150) 48044 for 9400KC, Posturemold only (3160) (with higher base)
		48017	Two posts Top-Loc w/pintles (3320)
	 <p data-bbox="901 1449 1331 1774">Discontinued & Replaced by part no. 48008 (page 4)</p>		

Nut and Washer Kit consisting of:-
 (2) Rubber Washers, (2) Brass Washers,
 (2) Lockwashers & (2) Nuts - #48114-07

Hinge Kits

KISSLER & CO., INC.

part number	description	part number	description
48029	Two posts Top-Loc w/caps (3485)	48030	Two Pop-Pins (3431)
			
48039	Two caps for Top-Loc (3432)	48040	Two posts w/pintles (3480)
			
48043	for 9400KSSC, Posturemold only (312)	48044	for 9400KC, Posturemold only (3160)
			


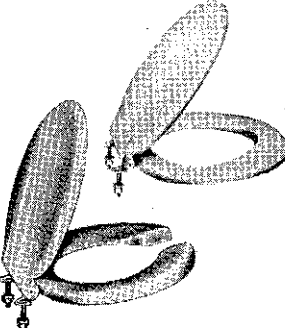
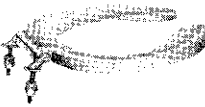
Nut and Washer Kit consisting of:-
 (2) Rubber Washers, (2) Brass Washers,
 (2) Lockwashers & (2) Nuts - #48114-07

part number	description	part number	description
48100	4 seat/2 cover bumpers	48101	2 seat bumpers
48102	2 seat/2 cover bumpers	48103	4 seat/4 cover bumpers
48104	4 seat/2 cover bumpers	48105	4 seat/4 cover bumpers

Nut and Washer Kit consisting of:-
 (2) Rubber Washers, (2) Brass Washers,
 (2) Lockwashers & (2) Nuts - #48114-07

Seat/Kits Cross Reference


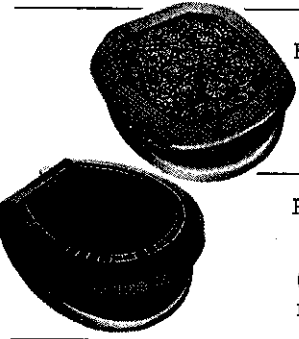
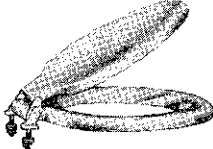
KISSLER & CO., INC.

toilet seat description	seat plate no.	seat catalog no.	part number		
			hinge kit no.	bumper kit no.	
for Luxor or Carlyle toilets (not illust.)	Elong., Closed	LC/CY 212	5330.857	48013	48107
	Elong., Open	LC/CY 213	5330.865		
		CY 201	5330.311		48108
	Elong., Open	222	5330.790	48002	48109
		222C	5333.364	48016	
		222C color	5330.782	48003	
		222SS	5330.808	48004	
		222SSC	5333.745	48003	
for former Compact toilet (not illust.)	Elong., Closed	NC250	-	48001	48102
	Round, Closed	255	-		
	Elong., Open	260	-		
	Round, Open	265	-		
new Compact (not illust.)	Elong., Closed	NC252	5333.224	48008	48107
	Elong., Open	262	5333.232		
		with 2 bumpers on seat only			
(not illust.)		290	same as 390		
		295 all versions	same as 395		-
		296	same as 396		
	Round, Closed	300	5330.022	48008	48102
		302SS	5333.307	48017	
		(310 below)			
	Round, Open	320	5330.048	48008	48102
		322SS	5333.315	48017	
	Elong., Closed	380	5330.063	48008	48102
		383SS	5333.323	48017	
		(385 below)			
Elong., Open	390	5330.055	48008	48102	
	393SS	5333.331	48017		
Seat only (not illust.)	Round, Closed	310	5330.030	48002	48101
	Elong., Closed	385	5330.071	48002	
	Elong., Open	395	5330.121	48002	48101
		395C	5333.349	48016	
		395C color	5330.139	48003	
		395SS	5330.162	48004	
		395SSC	5330.204	48003	
		(396 below)			
		397	5330.147	48002	
		397C	5333.356	48016	
		397C color	5330.154	48003	
		397SS	5330.170	48004	
		397SSC	5330.212	48003	

Nut and Washer Kit consisting of:-
 (2) Rubber Washers, (2) Brass Washers,
 (2) Lockwashers & (2) Nuts - #48114-07

KISSLER & CO., INC.

Seat/Kits Cross Reference

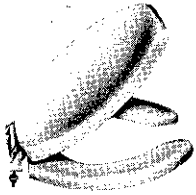
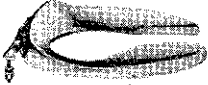



toilet seat description	seat plate no.	seat catalog no.	part number		
			hinge kit no.	bumper kit no.	
Seat only with Self-raising Hinge (not illust.)	Elong., Open	396	5330.188	48000	48109
	Round, Open	398	5330.196	48000	
(400 Series, see below)					
	Round, Closed	500	5210.075	48008	48100
	Round, Closed	505	5210.281		
	Round, Open	520	5200.365		
	Round, Open	525	5210.513		
	Round, Closed	540	5210.018		
	Round, Closed	550 Accent			
	Round, Open	560	5200.027		
	Elong., Closed	580	5210.026		
	Elong., Open	590	5200.043		
	All above Except 500 and 520 with 4 bumpers				
	Round, Closed	410	5210.174	48029 hinge post w/caps	48100
	(410, 420 not illust.)	420	5210.240		
		430	5210.257		
Round, Closed	610	5360.136	48030 Pop-Pins only	48104	
(610, 620 not illust.)	620	5360.144			
	630	5360.151			
discontinued Sheet Covered (not illust.)	Round, Open	842	-	48001	48102
	Closed	862	-		
	Elong., Open	882	-		
	Closed	892	-		
	Elong., Closed	1050	5320.072	48007	48111
	Open	1070	5320.080		
	Round, Closed	1250	5320.098		
	Open	1270	5320.106		
(not illust.)	Baby, Open	1580C	5330.113	48006	48110
	Elong., Open	2500	-		(not avail.)
	Round, Open	5700	-		(not avail.)
(not illust.)		8100	-	48000	(not avail.)
		8200	-		
(not illust.)		9100	-	48006	(not avail.)
		9103	-		

Nut and Washer Kit consisting of:-
 (2) Rubber Washers, (2) Brass Washers,
 (2) Lockwashers & (2) Nuts - #48114-07

CHURCH  **AMERICAN STANDARD**
 THE BEST SEAT IN THE HOUSE®

Seat/Kits Cross Reference

KISSLER & CO., INC.

toilet seat description	seat plate no.	seat catalog no.	part number		
			hinge kit no.	bumper kit no.	
 Elong., Open	9200M	5321.039	48007	48111	
 Elong., Open	9400KC 9400KSSC	5321.070 5321.088	48044 48043	48101	
 Elong., Open	Old style 9500C	-	48006	(not avail.)	
	Current 9500C 9500SSC	5320.114 5320.403	48015 48006	48110	
 Round, Open	Old style 9700C	-	48006	(not avail.)	
	Current 9700C 9700SSC	5320.130 5320.486	48015 48006	48110	
for Purimo Bowl (not illust.)	Round, Open	9705	5320.478	48005	48110
(not illust.)		9765	-	48015	(not avail.)
 Elong., Open Front Cut-out Back	9900C	5320.932	48016	48101	

Nut and Washer Kit consisting of:-
 (2) Rubber Washers, (2) Brass Washers,
 (2) Lockwashers & (2) Nuts - #48114-07

QUALITY REPAIR PARTS BY **KISSLER & CO., INC.**

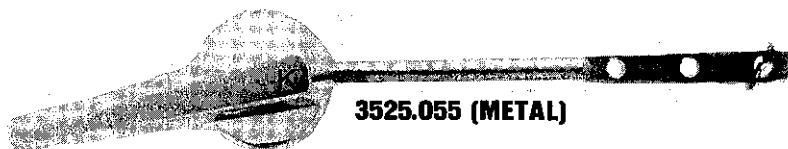
Toilet Tank Fittings for **AMERICAN STANDARD**

REPLACEMENT FOR 4" HANDLE
(Straight or Bent)



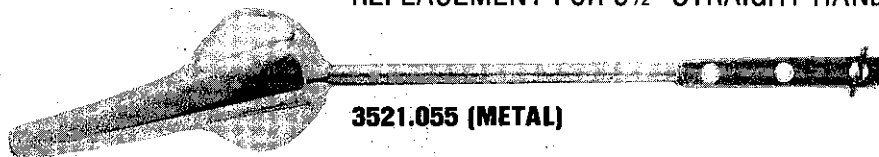
6500-02 (PLASTIC)

USE FOR
3512.139
3525.011
3526.019
33459-02
73392-02
N3075



3525.055 (METAL)

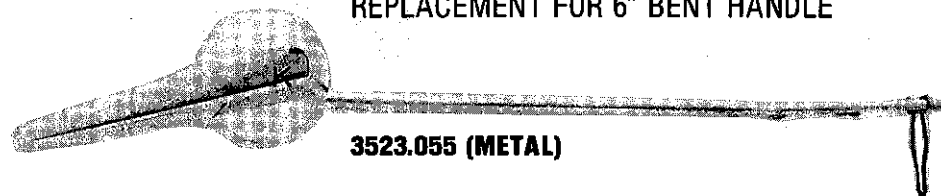
REPLACEMENT FOR 5½" STRAIGHT HANDLE



3521.055 (METAL)

USE FOR
3521.010
3521.028
47048-02

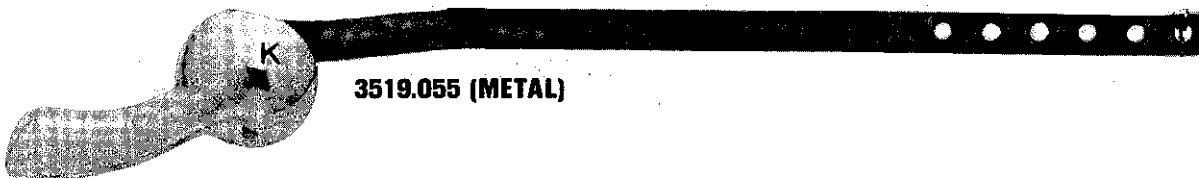
REPLACEMENT FOR 6" BENT HANDLE



3523.055 (METAL)

USE FOR
73439-02

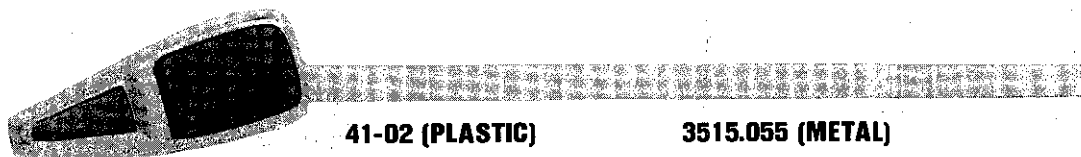
REPLACEMENT FOR 9" BENT HANDLE



3519.055 (METAL)

USE FOR
3518.016
N3071

REPLACEMENT FOR 9" STRAIGHT HANDLE



41-02 (PLASTIC)

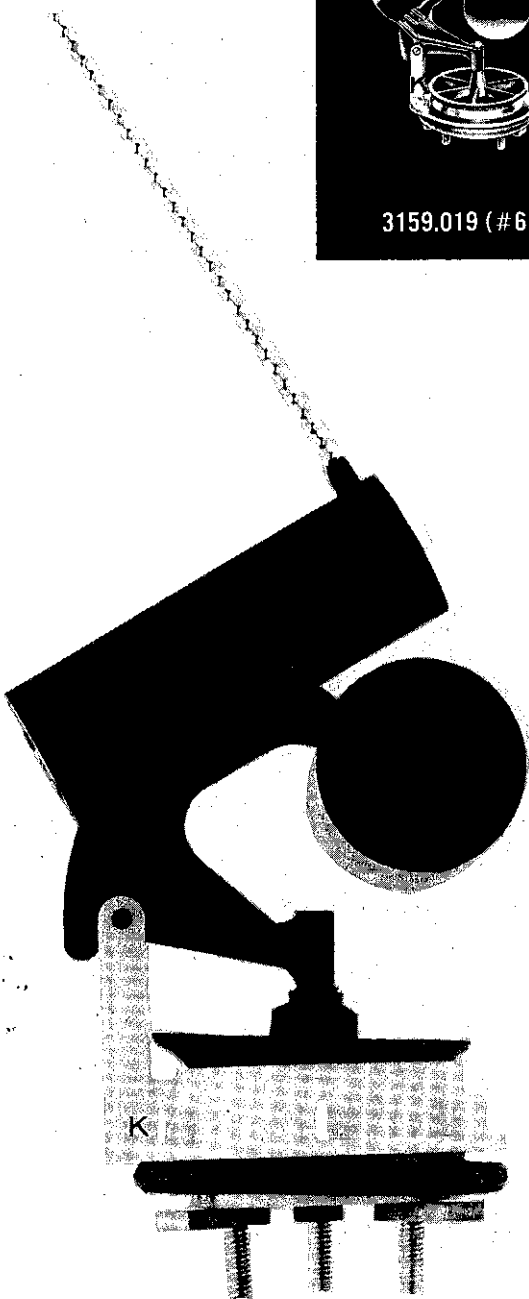
3515.055 (METAL)

USE FOR
N3073
3515.011
3515.012

WE DUPLICATE ANY PART REGARDLESS OF AGE

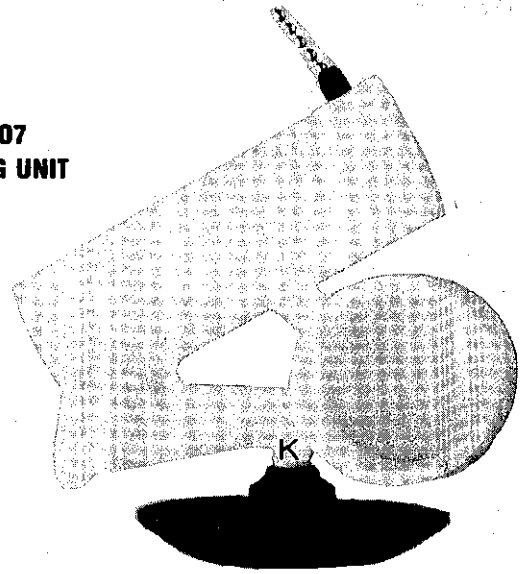


3159.019 (#6)



3159.019

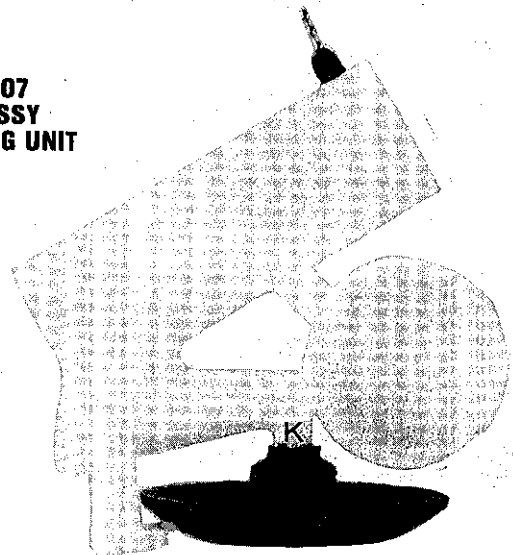
**33642-07
ACTUATING UNIT**



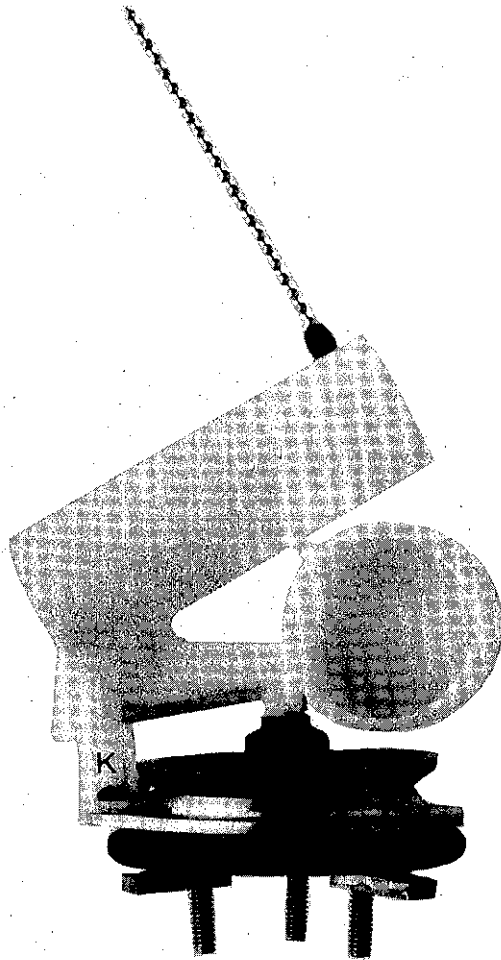
**73380-07
ACTUATING UNIT**



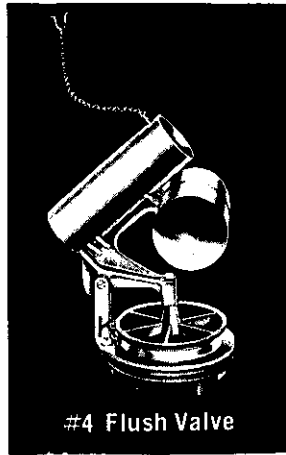
**8162-07
SUB ASSY
ACTUATING UNIT**



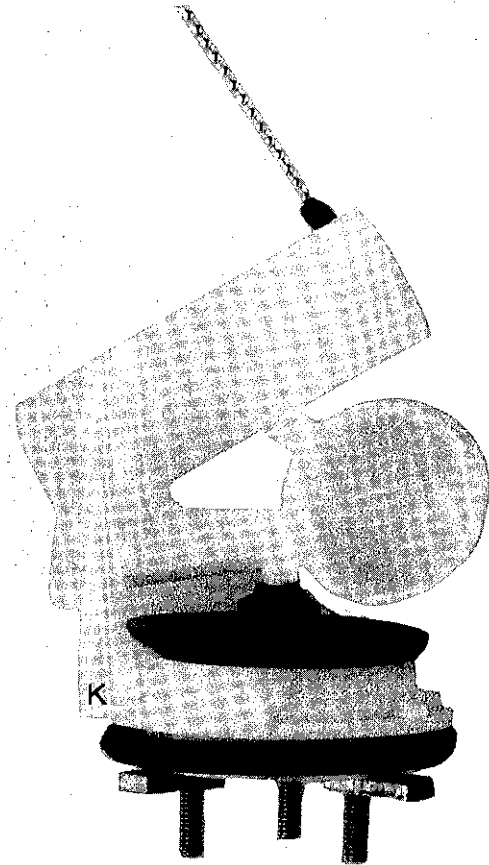
WE DUPLICATE ANY PART REGARDLESS OF AGE



**3156.515
(BRASS BASE)**

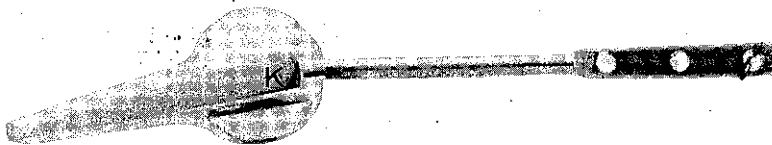


#4 Flush Valve

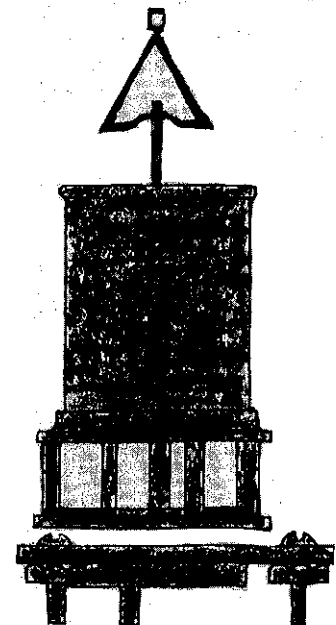


**3156.015
(PLASTIC BASE)**

**USE 3156.515 or 3156.015
(SHOWN ABOVE) WITH 3525.055
HANDLE TO REPLACE #3 F.V.**



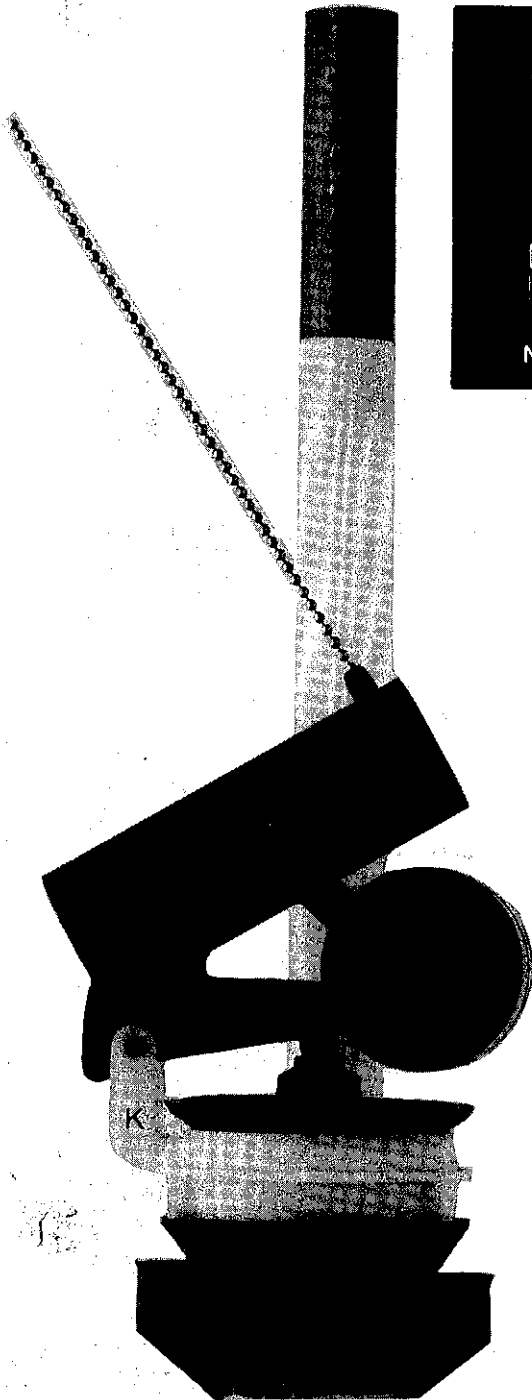
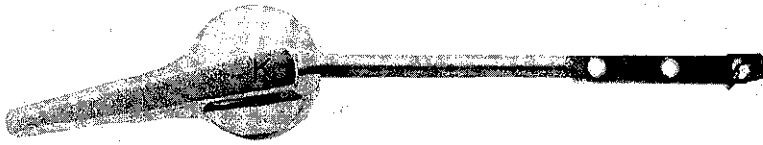
**TO ORDER COMPLETE REPLACEMENT
STOCK # 3156.031 (PLASTIC BASE)
STOCK # 3156.531 (BRASS BASE)**



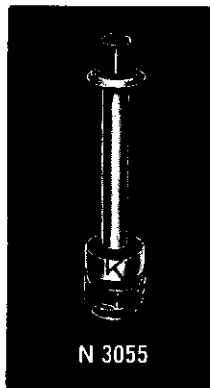
#3 FLUSH VALVE

QUALITY
REPAIR PARTS BY **KISSLER & CO., INC.**

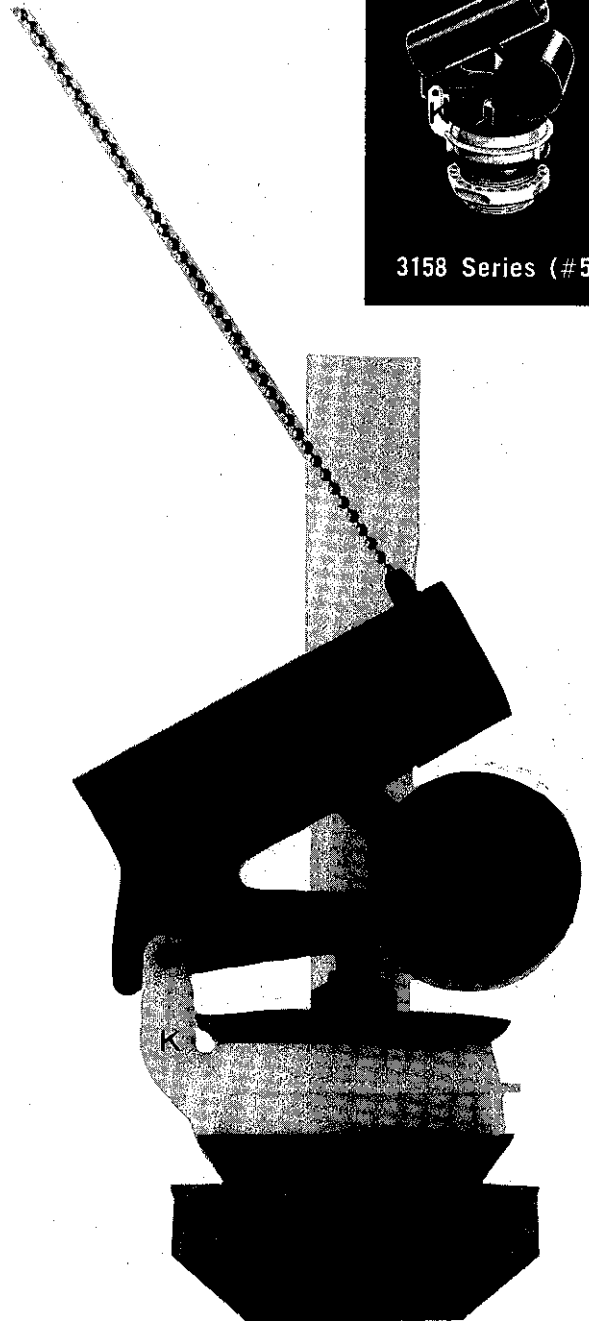
Toilet Tank Fittings for AMERICAN STANDARD



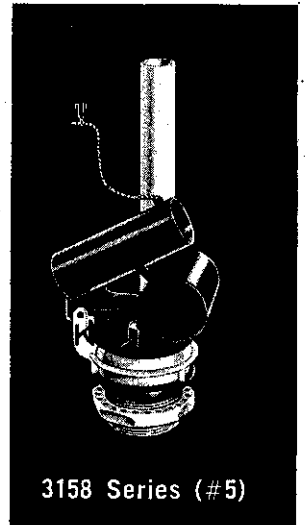
3157.054



N 3055



3158.078



3158 Series (#5)