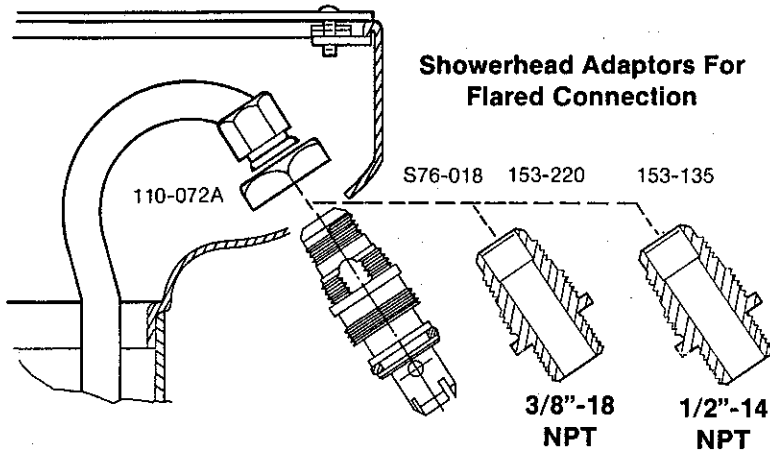


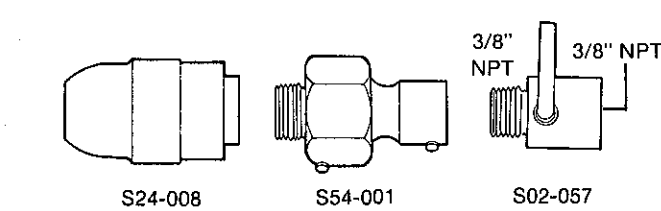
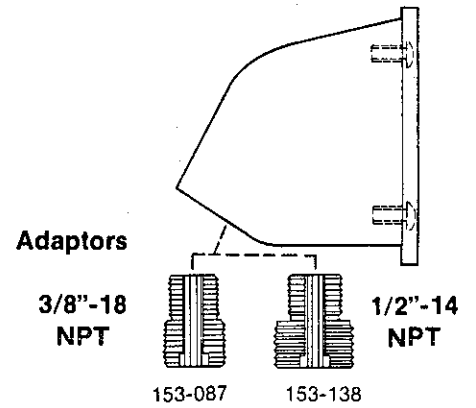
SHOWER OPERATING & SERVICE INSTRUCTIONS

BRADLEY SHOWER HEADS

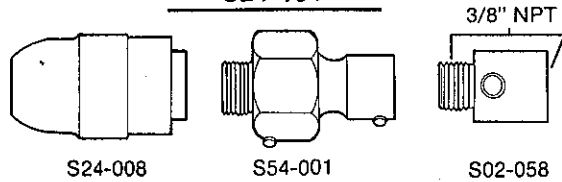
Column Shower & Wall Savers



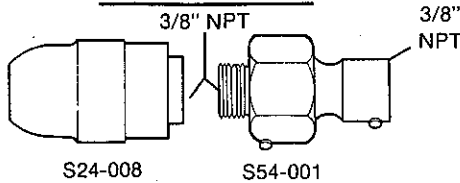
Individual-Wall Shower-Panelons



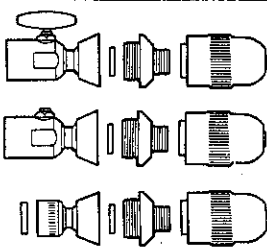
Ball Joint Assembly W/Lever Handle Volume Control
S24-104



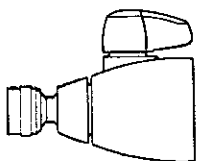
Ball Joint Assembly W/Allen Key Volume Control
S24-103



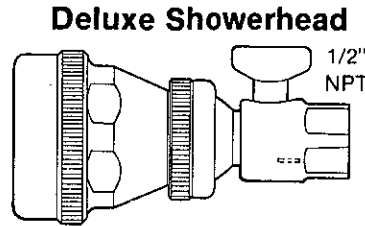
Ball Joint Assembly
S24-102



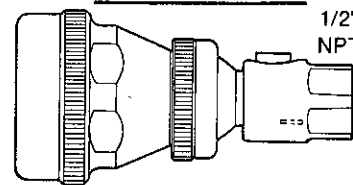
The 1/2" NPT Ball Joint Assemblies as shown are no longer available. When replacing complete Shower Head Assembly as shown above, the adaptor will have to change to a 3/8" connection.



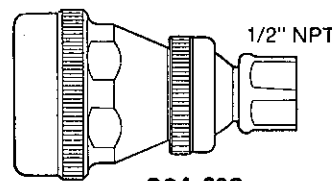
Obsolete Deluxe Shower Head must be replaced complete with the new style Deluxe Shower Head shown above.



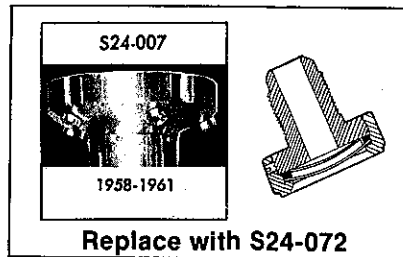
Deluxe Showerhead
S24-096
Lever Handle Volume Control
Ball Joint



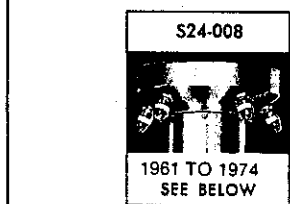
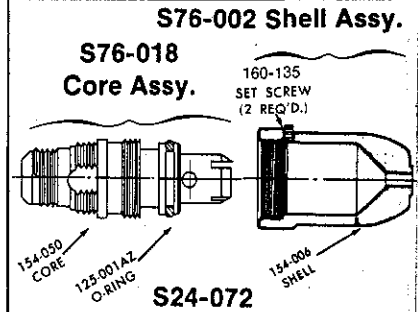
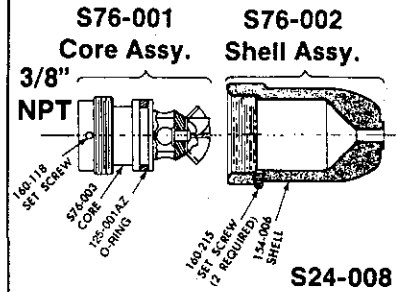
Deluxe Showerhead
S24-099
Allen Key Volume Control
Ball Joint



Deluxe Showerhead
S24-093
Ball Joint



Replace with S24-072



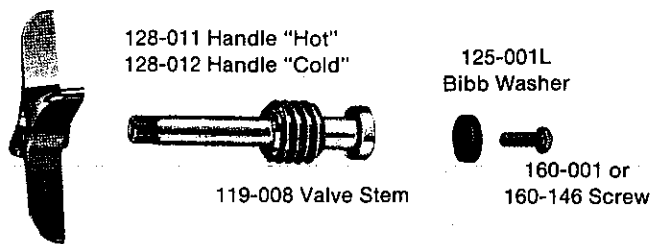
S24-008 Showerhead was furnished on column showers until well into 1974 when it was replaced by S24-072. The S24-072 Showerhead is not shown in photos, since it is identical in appearance to the S24-008 Showerhead. However, the method of connecting to the supply tube, and the type of Showerhead core are not the same. The S24-008 Showerhead is currently furnished as part of the complete Showerhead assembly on individual wall showers, Econo-wall showers and Panelons, while the S24-072 Showerhead is furnished on wall-saver and column showers.



BRADLEY COMPRESSION SHOWER VALVES

1949 To The Present

NOTE: Complete valve assemblies are not shown. Only those parts reflecting basic design changes are illustrated.

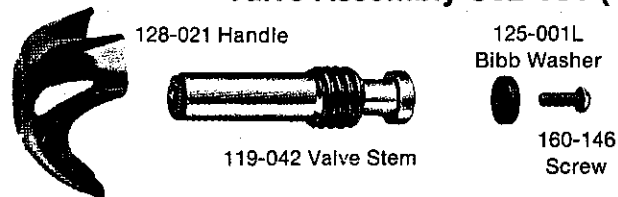


VALVE ASSEMBLY NO. S02-018

Furnished from 1949 to 1963.

Only the 125-001L & 160-146 are still available.

Valve Assembly S02-031 (Tempered), S02-031A (Cold), S02-031B (Hot)



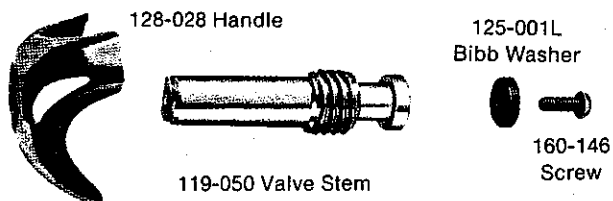
First S02-031 Series

Furnished from 1963 to 1968.

Only the 125-001L & 160-146 are still available.

REPAIR KIT NO. S45-048

CONTENTS		
Qty	Part No.	Item
1	160-146	Screw
1	125-001L	Bibb Washer
1	124-001BD	Fibre Washer
1	125-001BC	"O" Ring
1	117-002	Renewable Valve Seat
1	124-001K	Valve Body Washer



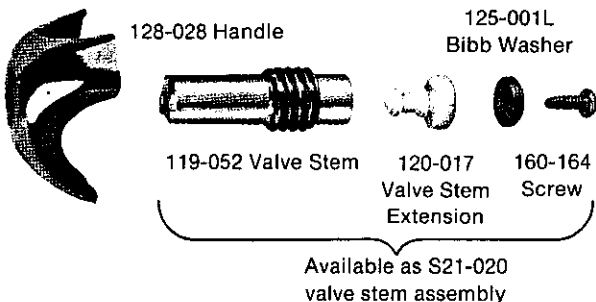
Second S02-031 Series

Furnished from 1968 to 1969.

Only the 128-028, 125-001L & 160-146 are still available.

REPAIR KIT NO. S45-048

CONTENTS		
Qty	Part No.	Item
1	160-146	Screw
1	125-001L	Bibb Washer
1	124-001BD	Fibre Washer
1	125-001BC	"O" Ring
1	117-002	Renewable Valve Seat
1	124-001K	Valve Body Washer



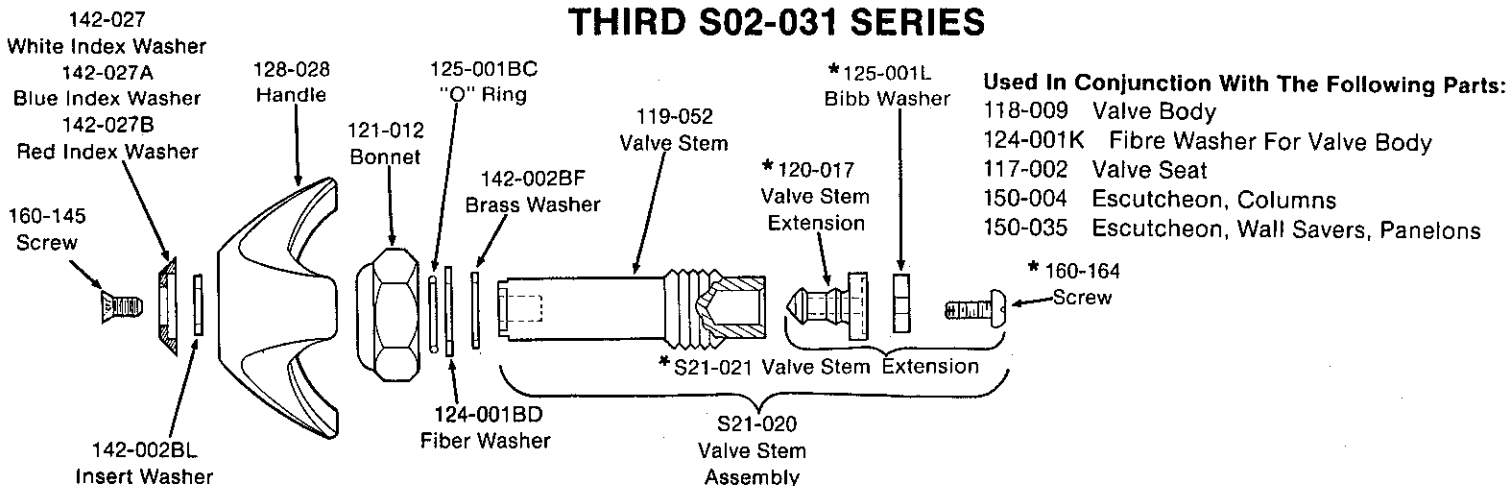
Third S02-031 Series

Furnished since 1969.

Only the third S02-031 Series can be provided complete, either as an assembly, or as individual parts.

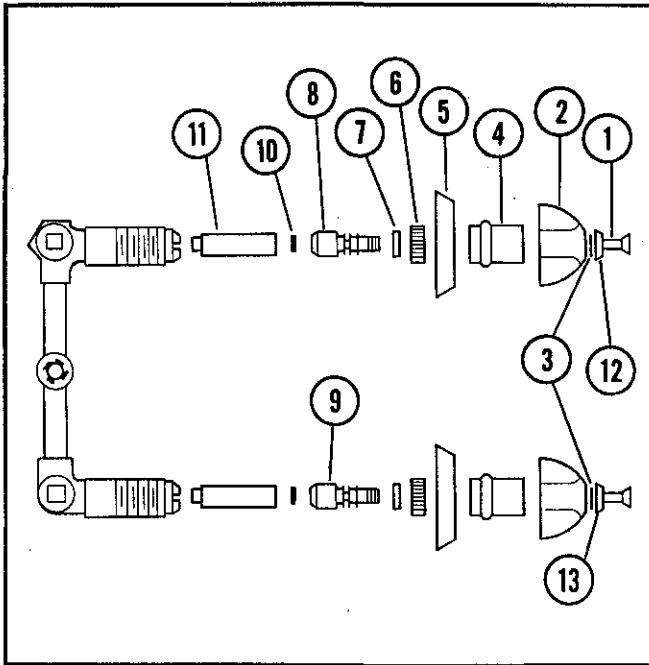
REPAIR KIT NO. S45-048A

CONTENTS		
Qty.	Part No.	Item
1	120-017	Valve Stem Extension
1	160-164	Screw
1	125-001L	Bibb Washer
1	124-001BD	Washer
1	124-001K	Washer
1	125-001BC	"O" Ring
1	117-002	Valve Seat



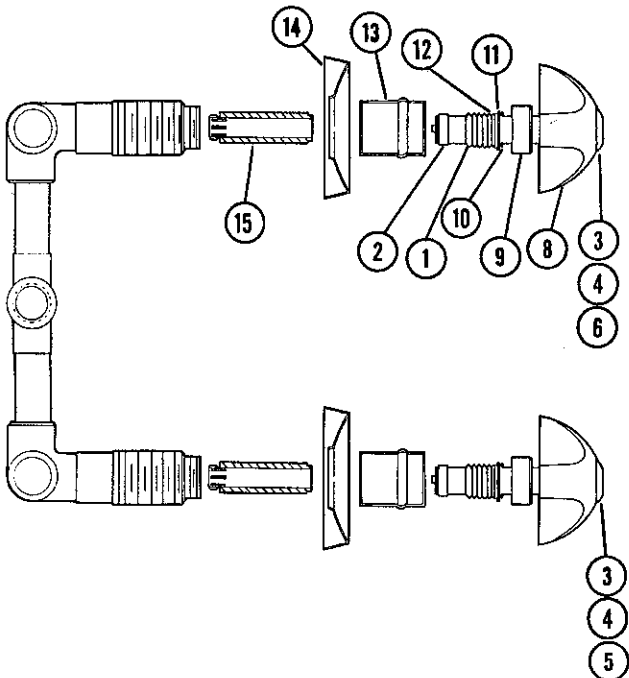
***NOTE:** It is not recommended that the component of the stem assemblies be ordered individually. It is likely that valve stem extension no. 120-017 can not be removed without breaking as it is made of Celcon plastic. If breakage occurs, that portion of the plastic remaining in valve stem no. 119-052 will have to be drilled out. It is our recommendation that valve stem assembly no. S21-020 always be replaced complete.

POS-I-PAK VALVES
Individual Showers—Concealed
January 1978 To March 1983
Single Tempered Supply Uses Washer 142-027
And Valve Unit S27-157



PARTS LIST		
No.	Part	Description
1	160-261	Screw
2	128-049	Handle
3	142-002BL	Washer
4	169-743	Sleeve
5	169-742	Escutcheon
6	169-650	Cap
7	169-746	O-Ring 13/16 x 5/8
8	S27-157	Valve Unit (Includes 169-748 & 169-746)
9	S27-157A	Valve Unit (Includes 169-748 & 169-746)
10	169-748	O-Ring 1/2 x 3/8
11	169-741	Waterway Sleeve
12	142-027A	Washer—Cold (Blue)
13	142-027B	Washer—Hot (Red)

HOT & COLD VALVES
Individual Showers—Concealed
Furnished From March 1983 To Present
Single Tempered Supply Uses Washer 142-027



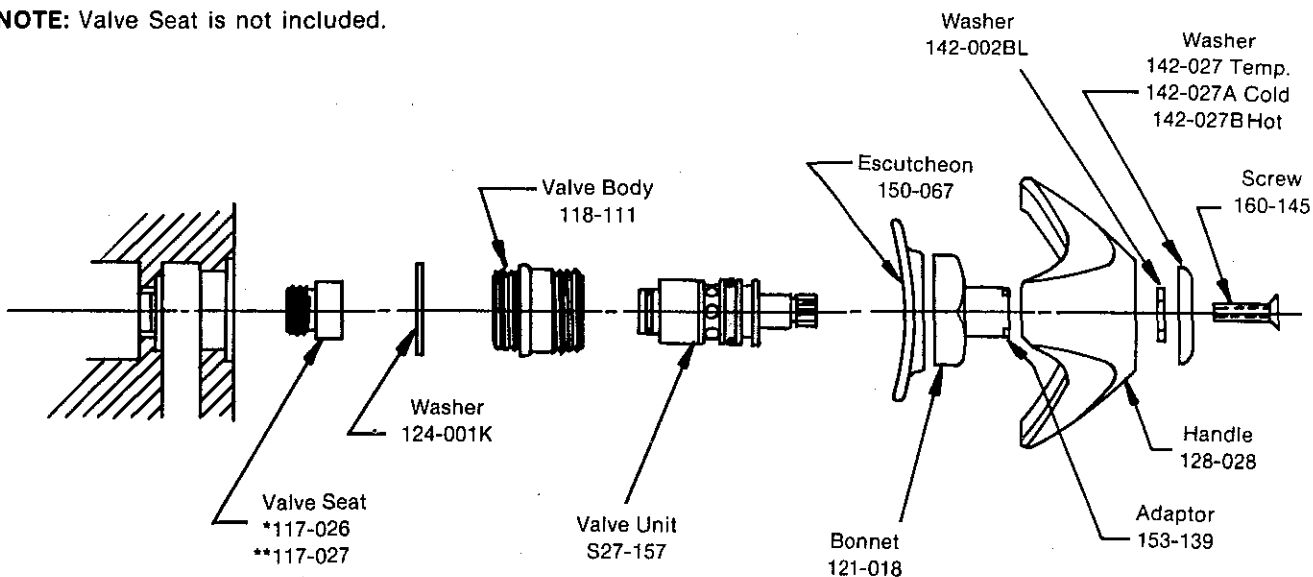
Item	Part No.	Description
1	119-052	Valve Stem
2	S21-021	Extension
3	142-002BL	Insert Washer
4	160-145	Screw
5	142-027B	Red Washer
6	142-027A	Blue Washer
8	128-060	Handle
9	121-019	Bonnet
10	125-001BC	"O" Ring
11	124-001BD	Fiber Washer
12	142-002BF	Brass Washer
13	113-430	Sleeve
14	150-110	Escutcheon
15	117-034	Seat

S65-040 Tempered

**POS-I-PAK VALVE
S65-040A Cold**

S65-040B Hot

NOTE: Valve Seat is not included.



***For Wall-Saver, Econo-Wall and Panelon.**

****For column shower.**

For Individual Shower Application See Page 3

S27-113 Gradual Closing Valve

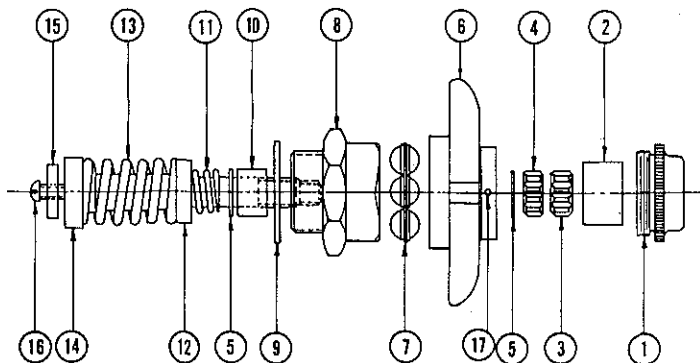
No longer available. Contact Chicago Faucet—Ref. #333-X-SLO.

S27-115A Self-Closing Valve

No.	Qty.	Part No.	Description
1	1	169-580	Cap Nut
2	1	169-581	Samson Nut Sleeve
3	1	169-582	Samson Nut, R.H. Thread
4	1	169-583	Samson Nut, L.H. Thread
5	2	169-584	Brass Washer
6	1	169-585	Handle
7	1	169-586	Ball Race
8	1	169-587	Centerpiece
9	1	169-588	Asbestos Washer
10	1	169-589	Packing
11	1	169-590	Spring
12	1	169-591	Gland
13	1	169-592	Spring
14	1	169-593	Stem
15	1	169-594	Seat Washer
16	1	169-595	Seat Washer Screw
17	1	160-118	Set Screw

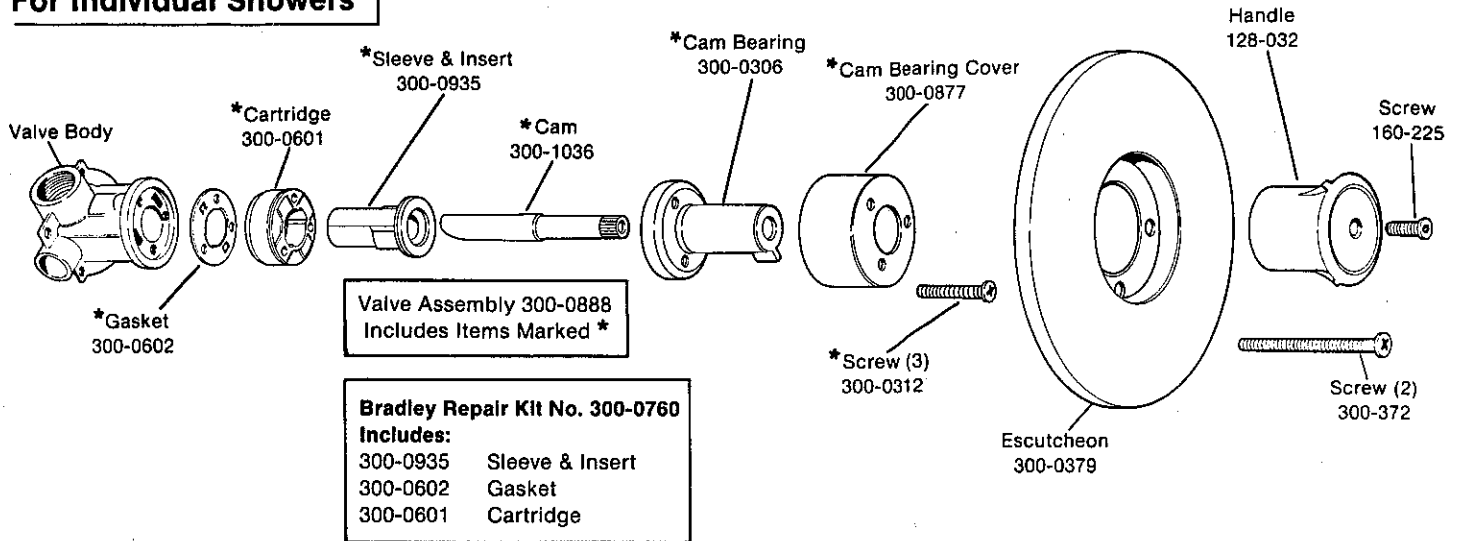
Used In Conjunction With The Following:

- 118-088 Valve Body
- 124-001K Fiber Washer
- 142-028 Escutcheon Washer
- 117-002 Valve Seat

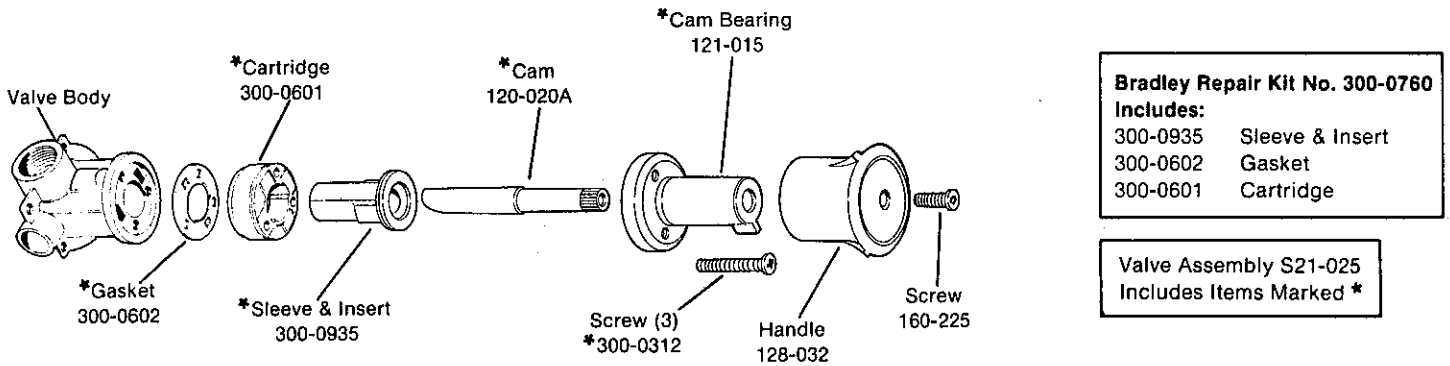


BRADTROL VALVES

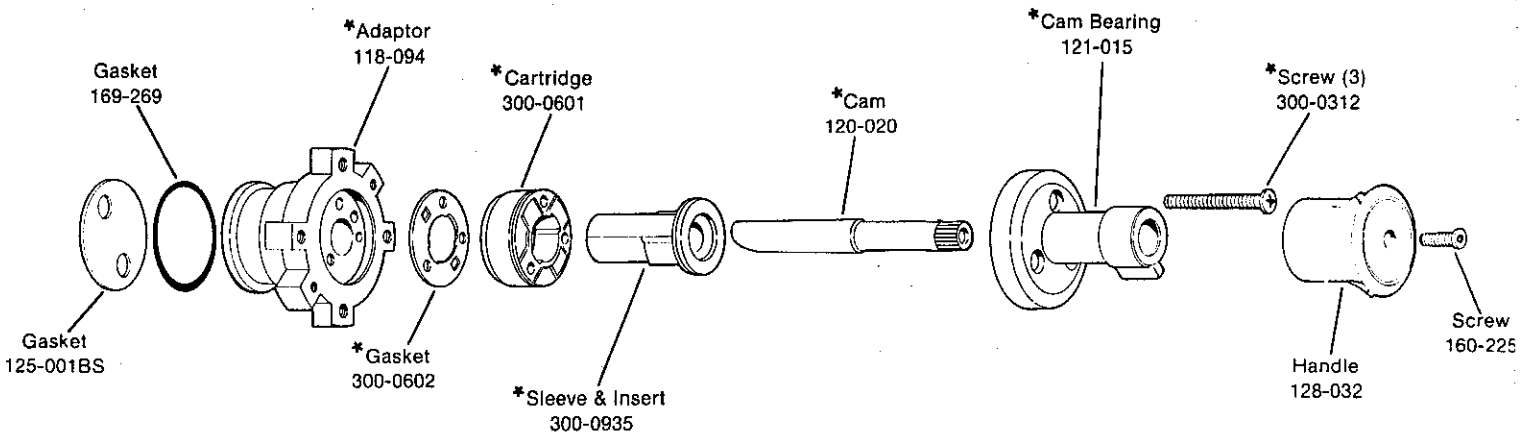
For Individual Showers



For Econo-Walls, Wall Savers And Panels



For Column Shower



Escutcheon and screws (not shown) must be ordered separately, as follows:

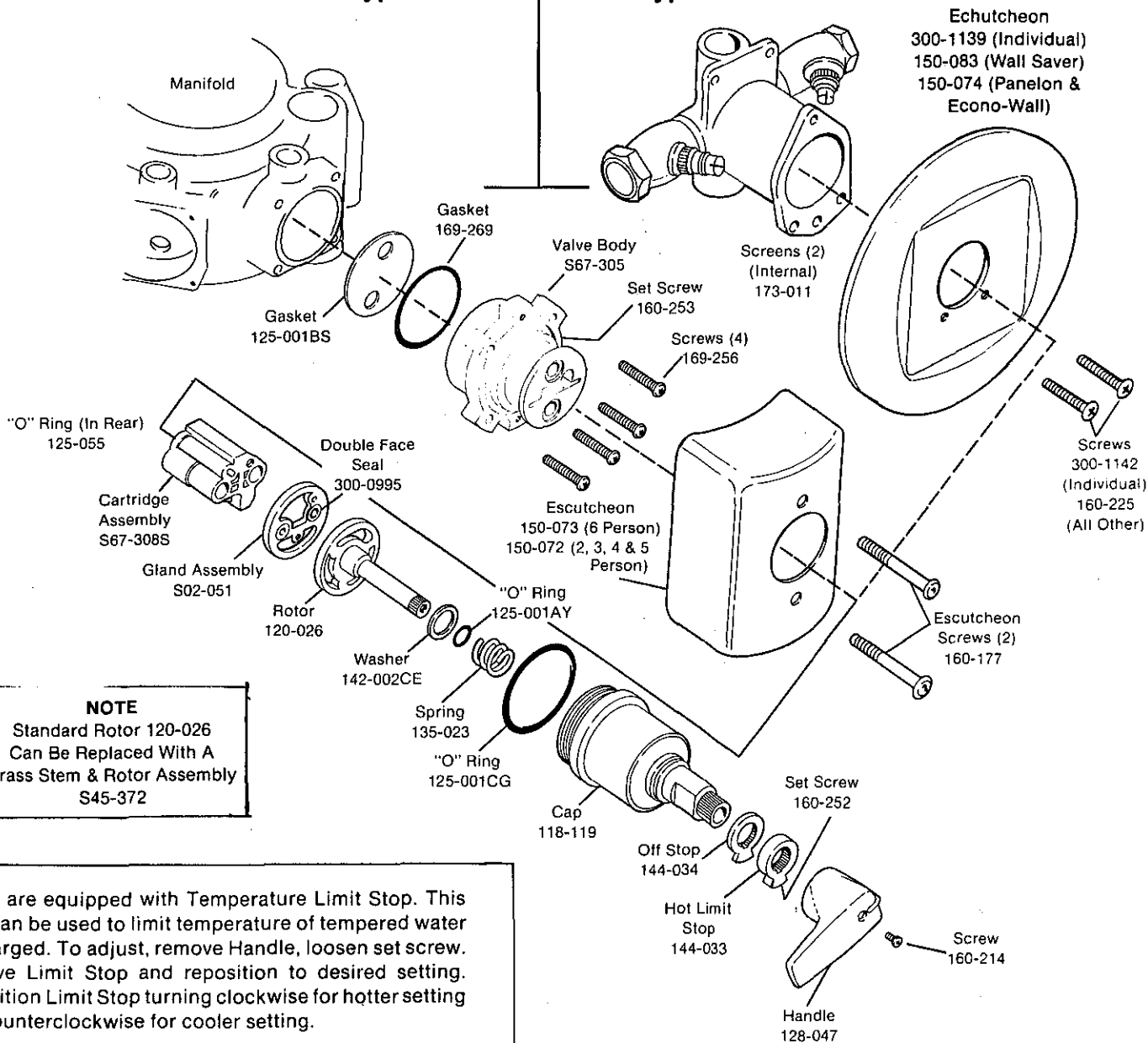
- 150-061 Escutcheon, 6-Person Shower
- 150-062 Escutcheon, 2-5 person Shower
- 160-176 Screw for upper escutcheon hole
- 160-177 Screw for lower escutcheon hole

BRADLEY EQUA-FLO #478

First Generation Furnished to May 1982

Column Type Showers

Wall Type Showers



Escutcheon
300-1139 (Individual)
150-083 (Wall Saver)
150-074 (Panelon & Econo-Wall)

NOTE
Standard Rotor 120-026
Can Be Replaced With A
Brass Stem & Rotor Assembly
S45-372

Valves are equipped with Temperature Limit Stop. This Stop can be used to limit temperature of tempered water discharged. To adjust, remove Handle, loosen set screw. Remove Limit Stop and reposition to desired setting. Reposition Limit Stop turning clockwise for hotter setting and counterclockwise for cooler setting.

Temperature Limit.

To Shower Head
↑
Up

(Groove In Spline)

Position Temperature Limit Stops as shown for Individual Wall Showers.

To Shower Head
↑
Up

(Groove In Spline)

Position Temperature Limit Stops as shown for Wallsavers, Panelons and Econowall Showers

To Shower Head
↑
Up

(Groove In Spline)

Position Temperature Limit Stops as shown for Column Showers

SERVICE SUGGESTIONS: Ordinary service requires replacement only of Double Face Seals. When replacing, it is recommended that you order complete Gasket Kit S45-271. Bottom of Rotor (where contact is made with seals) should be checked for scratches. If scratched, replace.

- Gasket Repair Kit S45-271**
Includes
- 1 125-001CG "O" Ring
 - 1 142-002CE Washer
 - 1 125-001AY "O" Ring
 - 2 300-995 Double Face Seal
 - 2 125-055 Square Ring
- Lubricate Top Face of Seal 300-0995 with a slight film of Dow Corning #111 Compound at assembly.

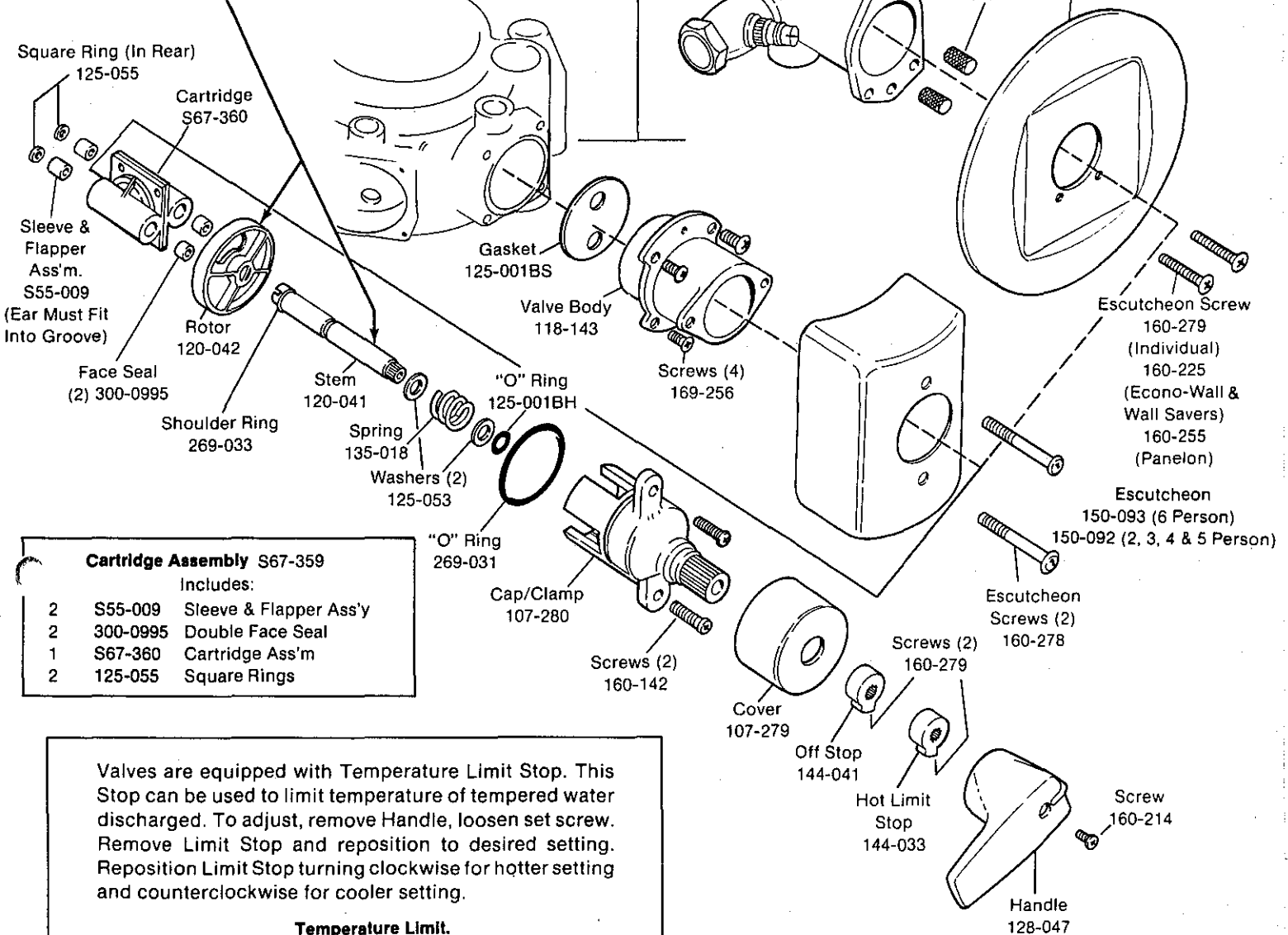
BRADLEY EQUA-FLOW #478 2ND GENERATION

Furnished From May 1982 to Present

Column Type Showers

Wall Type Showers

NOTE: SHOULD THE ROTOR COME OFF THE STEM, ALIGN GROOVE IN OUTER RIM OF ROTOR WITH GROOVE IN SPLINE ON THE STEM WHEN REASSEMBLING.

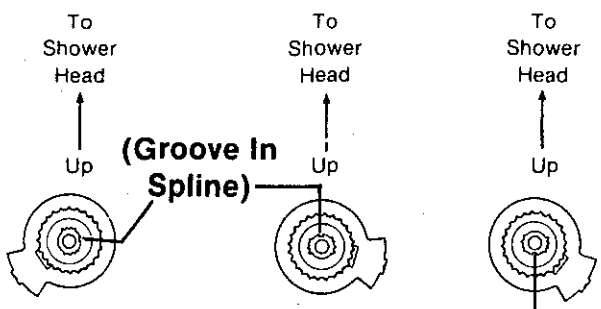


Cartridge Assembly S67-359
Includes:

2	S55-009	Sleeve & Flapper Ass'y
2	300-0995	Double Face Seal
1	S67-360	Cartridge Ass'm
2	125-055	Square Rings

Valves are equipped with Temperature Limit Stop. This Stop can be used to limit temperature of tempered water discharged. To adjust, remove Handle, loosen set screw. Remove Limit Stop and reposition to desired setting. Reposition Limit Stop turning clockwise for hotter setting and counterclockwise for cooler setting.

Temperature Limit.



Position Temperature Limit Stops as shown for Individual Wall Showers.

Position Temperature Limit Stops as shown for Wallsavers, Panelons and Econowall Showers

Position Temperature Limit Stops as shown for Column Showers

Gasket Repair Kit S65-073
Includes:

2	125-055	Square Ring
1	125-001BH	"O" Ring
1	269-031	"O" Ring
2	300-995	Double Face Seal

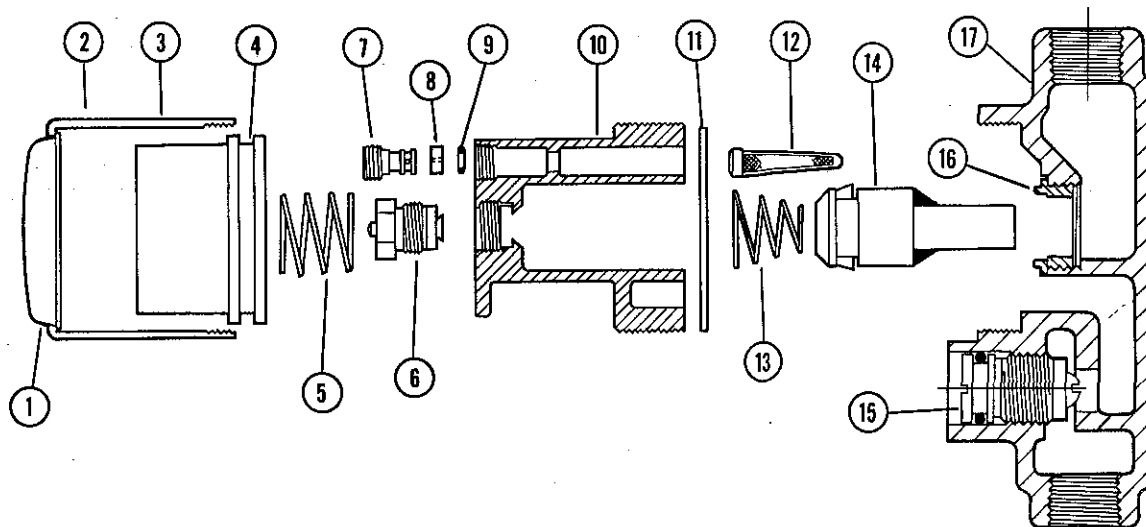
NOTE

When replacing the double face seals, lubricate the top face with a small amount of silicone lubricant reassembling.

When assembling cap into valve body use silicone lubricant on 269-031 "O" Ring, to prevent twisting of "O" Ring.

If silicone lubricant is not available, a slight film of soap may be used.

BRADLEY TOUCH 'N FLO VALVE



No.	Part No.	Description
1	128-048	Push Button
2	107-243	Cover
3	107-253	Cover (Indiv. only)
4	182-065	Spacer (Indiv. only)
5	135-034	Spring
6	S64-024	Poppet Ass'y
7	S21-032	Adjusting Screw Ass'y
8	125-048	Orifice
9	125-001BC	O-Ring
10	118-120	Body
11	169-250	Gasket
12	173-012	Filter
13	135-028	Conical Spring
14	S64-014	Plunger Ass'y
15	S27-070	Internal Stop Core
16	117-030	Seat Body
17	118-121	Bottom Body

Qty.	Part No.	Description	Item
1	118-120	Body	1
1	S64-024	Poppet Ass'y	2
1	S21-032	Adjusting Screw Ass'y	3
1	125-001BE	"O"-Ring	4
1	125-048	Orifice	5
1	173-012	Filter	6

Apply Thin Coat of Silicone
Lubr-All Around I.D.-1" Deep

Body Ass'y.
S73-019

Escutcheon & Screws (Not Shown) Must Be Ordered Separately as Follows:

150-033 Escutcheon 6-Person Column Shower
 150-031 Escutcheon 2-5 Person Column Shower
 160-165 Escutcheon Screw—2 Required

150-077 Escutcheon for all other Showers
 160-255 Escutcheon Screw-2 Required

159-107 Wall Plate for Individual Shower
 300-0372 Wall Plate Screws-2 Required

Note: LUBRICATE "U"-CUP ON PLUNGER WITH DOW
 #111 SILICONE LUBRICANT

REPAIR KIT S65-071

CONTENTS		
Qty	Part No.	Item
1	S73-019	Body Ass'm
1	135-028	Conical Spring
1	S64-014	Plunger Assembly

REPAIR KIT S65-070

CONTENTS		
Qty	Part No.	Item
1	125-001BE	"O" Ring
1	125-048	Orifice
1	135-028	Conical Spring
1	169-250	Gasket
1	173-012	Filter
1	S64-014	Plunger Assembly

BRADLEY TOUCH 'N FLO SERVICE PROCEDURES

ADJUSTING TIMING:

1. Remove escutcheon.
2. Remove cover (Items 2 or 3).
Note: The push button, and spring will also come loose with the cover.
3. Check present timing by depressing poppet valve (Item 6). Measure the time from poppet valve release to valve shutoff.
4. Changing Timing:
 - A. Insert 3/32" Allen Key into adjusting screw (Item 7).
 - B. Turn clockwise to time valve longer.
 - C. Turn counterclockwise to time valve shorter.
 - D. Recheck timing as indicated in Step 3, continuing adjustment until desired timing is reached.**NOTE: A short turn will change timing considerably when setting valve in excess of 45 seconds.**

5. Replace cover and related parts.
6. Retest timing by depressing push button (Item 1).
If timing is significantly different than in Step 4D, repeat Step 2 and proceed as follows:
Loosen poppet valve assembly (Item 6) slowly until a slight leak appears, then retighten slowly until leak stops (slightly more than hand tight). Repeat Steps 4D and retest with push button assembled.

IF VALVE WILL NOT SHUT OFF

1. Repeat Steps 1 and 2 as above.
2. Using a 3/32" Allen Key, turn adjusting screw (Item 7) counterclockwise until adjusting screw is flush with body (Item 10). If valve continues to run, proceed with the next step.
3. Turn integral stop (Item 15) to shut off water, remove body assembly (Item 10) and check for:
 - A. A loose or worn valve seat (Item 16).
 - B. Any obstruction between seat and plunger assembly.
 - C. Loose, missing or plugged filter (Item 12), in body assembly. If either condition exists, replace entire body assembly (S73-019).
 - D. Missing plunger assembly (Item 14). Conical washer worn or not centered on plunger assembly. Replace if either condition exists.
 - E. Reassemble valve body assembly S73-019 and turn water on.
 - F. If valve still continues to run, proceed with Step 4.
4. Shut off water to shower, Remove integral stop (Item 15),

and check if bibb washer and screw have become disassembled and have remained in passageway or if any other foreign matter may be obstructing water flow. If integral stop core is defective, replace with a new unit, reassemble and test.

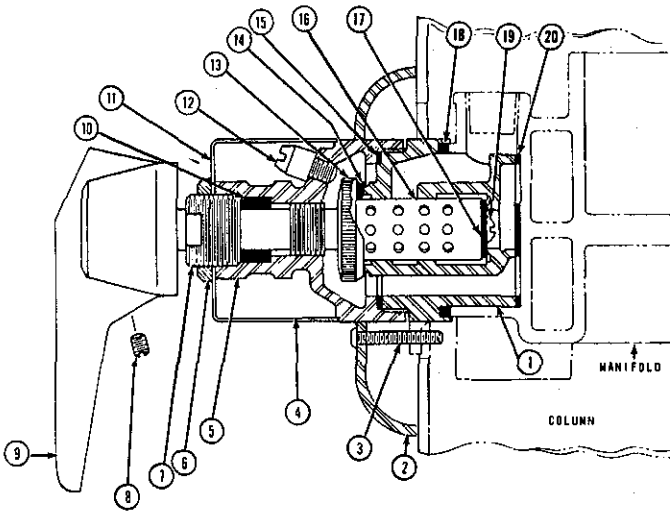
IF VALVE WILL NOT TURN ON

1. Check if all stops are open.
2. Integral stop washer may have slipped off retaining screw, allowing it to obstruct passageway. Remove washer and replace integral stop (Item 15) with a new unit.
3. Poppet valve assembly (Item 6) may be screwed into body (Item 10) too tightly. Only slightly more than hand pressure is necessary. Loosen and retighten to this degree.
4. Conical piston spring (Item 13) may be in upside down. Narrow end of spring should engage the piston.

IF VALVE TIMING IS UNSTABLE AT CYCLES IN EXCESS OF ONE MINUTE

1. Make certain to depress push button (Item 1) and hold for **one** second to test cycle.
2. Listen to shower for evidence of strong flowing fluctuations. If these exist when other showerheads are used, check building supply stops for full open, if strainers are clean and tempering valves are on.
3. If timing drifts steadily longer, make sure that position of orifice and o-ring (Items 8 and 9) are installed as shown. If not, remove and reposition. After repositioning, check new timing as follows:
 - A. Turn water on.
 - B. Open integral stop (Item 15).
 - C. Depress poppet valve (Item 6).
 - D. Look for water coming from around poppet valve. Turn adjusting screw (Item 7) through its range of adjustment, while holding poppet valve in. Water coming from poppet valve should vary from, "off" with adjusting screw tight, through a steady stream with the adjusting screw loose.
 - E. Set adjusting screw (Item 7) so that water comes from around the poppet assembly (Item 6) at several (two to five) drips per second. This approximates a fifteen to thirty second range.
 - F. Resume timing process.

BRADLEY PRESSURE BALANCING MIXING VALVE S27-022 FOR COLUMN SHOWERS DOES NOT INCLUDE ESCUTCHEON AND SCREWS



**Order Washer And Gasket Kit—S65-013
Includes Item Marked***

No.	No. Req.	Part No.	Description
1	1	169-255	Body Seat
2	1	150-032	Escutcheon, 2-5 Person Column
3	1	150-034	Escutcheon, 6 Person Column
4	2	160-177	Escutcheon Screw
5	1	169-263	Dome Cover
6	1	169-257	Cap
7	1	169-267	Lock Nut
8	1	169-258	Packing Nut
* 8	1	169-265	Handle Set Screw
9	1	169-264	Handle
* 10	1	169-266	Packing
11	1	169-274	Dial
12	1	S27-092	Limit Stop Assembly
* 13	1	169-259	Cold Washer Retainer
* 14	1	169-262	Cold Washer
* 15	1	169-268	Cap Gasket
16	1	S27-067	Flow Control Spindle
* 17	1	169-260	Hot Washer
* 18	1	169-269	Top Seat Gasket
* 19	1	169-261	Hot Washer Screw
* 20	1	169-270	Bottom Seat Gasket

SERVICE SUGGESTIONS: Open valve to about warm position. Loosen handle screw and remove handle. Remove escutcheon, unscrew dial lock nut and remove dome cover. Unscrew Valve Cap with complete assembly. Leave Packing Nut in place while unscrewing Cap to avoid distorting end of Cap. When Cap is unscrewed, entire working unit may be removed.

The perforated Cylinder is an integral part of Flow Control Spindle and does not unscrew. The Cylinder is hollow and contains a Piston. The Piston is free-moving and provides pressure-balancing feature of valve. By sliding back and forth under any variation in pressure, Piston opens or throttles Hot and Cold Water ports to control proper delivery ratio of each, and so maintains constant even temperature. Control action is entirely automatic, and Piston is sealed into Cylinder, and neither Cylinder nor Piston should be tampered with. Under no circumstances should wrench or pliers be used on Cylinder. It is a carefully machined unit and any marking or gouging will destroy its function.

The Piston should be free inside Cylinder at all times, and should click back and forth when assembly is shaken. After long service in "rugged" waters, it is possible that mineral or other deposits may block Piston's action. Normally, tapping Handle End of Spindle against solid object will free Piston. If it is so solidly plugged that this is not effective, replace entire Spindle Assembly.

Ordinary service requires only replacement of Hot and Cold Washers. To replace Cold Washer, remove large knurled Washer Retainer. To replace Hot Washer, remove Washer Screw. It is essential that both Hot and Cold Washers be replaced at same time, even if only one appears to require attention. Washer and Gasket Kit should be used for this service. Use only Pressure Balancing Valve Washers.

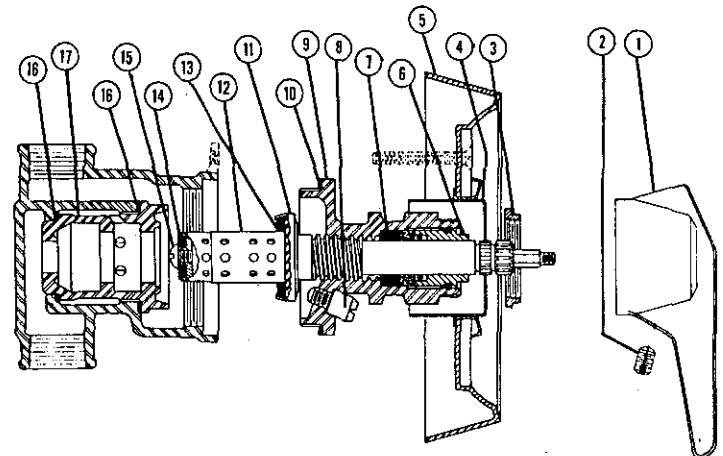
In extreme cases or after long years of service, Body Seat may require replacement. Body Seat is removable after removal of four mounting screws.

NOTE: When reassembling valve after any repairs, be sure Cylinder is drawn close to Cap before screwing Cap back into position.

Valves are equipped with "LIMIT STOP." This Stop, located below Dome Cover, can be used to limit temperature of tempered water discharge. **TO ADJUST:** Open valve and turn handle to maximum desired discharge temperature. Unscrew LIMIT STOP Cap, screw in adjusting set screw until it seats. While still holding valve open to desired position, replace LIMIT STOP Cap and tighten securely against its gasket.

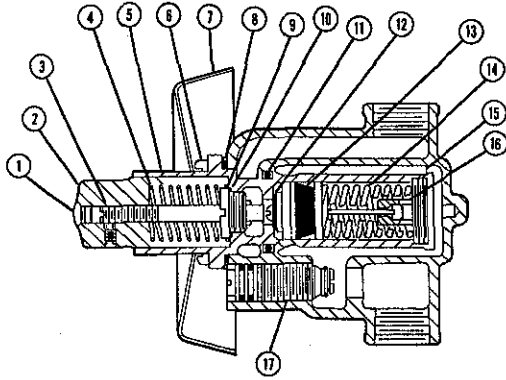
BRADLEY PRESSURE BALANCING MIXING VALVE S27-025 FOR PANELONS & WALL SHOWERS INCLUDES ESCUTCHEON AND SCREWS

No.	No. Req.	Part No.	Description
1	1	169-264	Handle
* 2	1	169-265	Handle Screw
3	1	169-397	Dome Lock Nut
4	1	169-398	Dome Cover
5	1	S27-091	Escutcheon and Screw
6	1	169-399	Packing Nut
* 7	1	169-266	Packing
8	1	S27-092	Limit Stop Assembly
9	1	169-401	Cap
* 10	1	169-402	Cap Gasket
* 11	1	169-259	Cold Washer Retainer
12	1	169-404	Flow Control Spindle
* 13	1	169-262	Cold Washer
* 14	1	169-260	Hot Washer
* 15	1	169-261	Hot Washer Screw
16	1	169-408	Top & Bottom Seat Gasket
17	1	169-409	Renewable Seat



**Order Washer And Gasket Kit—S65-048
Includes Item Marked***

BRADLEY METERED SHOWER VALVE S27-024 PANELONS & WALL SHOWERS INCLUDES ESCUTCHEON AND SCREWS



REPAIR KIT

If valve is leaking and will not shut off, order Repair Kit S65-047. If the running time cycle is too short, order Repair Kit S65-047. For a complete replacement cartridge unit, order S65-046.

Ill. No.	No. Req.	Part No.	Description
1	1	169-240	Screw
2	1	S27-063	Knob & Screw
3	1	169-376	Push-Rod
4	1	169-657	Spring
5	1	169-379	Cap
6	4	169-380	Cap Screw
7	1	169-377	Escutcheon
	2	169-378	Screw (Not illustrated)
*	8	169-381	Cap Gasket
*	9	S27-064	Guide Nut w/"O" Ring
*	10	169-382	Gasket
*	11	169-383	Cap "O" Ring
12	1	S27-087	Shut-off Washers & Screw
*	13	S27-088	Washer & Piston Unit
14	1	169-384	Spring
*	15	169-387	Retainer Washer
*	16	169-386A	Control Rod Sleeve & Retainer
17	1	S27-089	Integral Stop Unit

REPAIR KIT S65-047 INCLUDES ITEMS MARK *

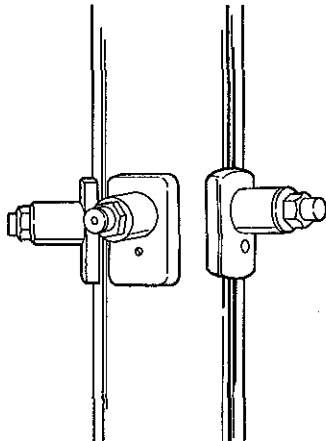
VALVE ADJUSTMENT: By referring to the valve diagram, follow these instructions for valve adjustment. The diagram shows the valve set at maximum time cycles the Allen set screw is holding on the uppermost end of push-rod. To shorten cycle:

1. Loosen Allen set screw.
2. "Pop out" plug bottom with sharp pointed tool.
3. Insert thin blade screwdriver in center of knob and into slot of the push rod.
4. Turn knob clockwise while holding screwdriver firmly. Turn until push-rod is almost flush with top of knob.
5. Tighten Allen set screw. Insert plug button.

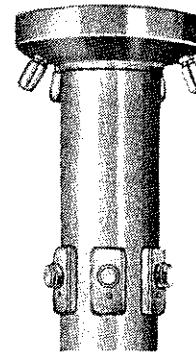
This procedure lowers the knob and effectively allows for a shorter stroke when the knob is pushed to operate the valve.

SERVICE NOTES: Foreign matter in new pipe lines may interfere with proper operation of valve and may be corrected by removing cartridge and cleaning working parts of valve. If valve has long idle period between installation and operation, Cup Washer or Push Rod may stick and it may be necessary to disassemble valve end of cartridge and lightly lubricate these parts. The same procedure may be found necessary on installations which have only seasonal use.

BRADLEY METERED SHOWER VALVES FOR COLUMN SHOWERS



Bradley Metered Shower Valve S27-023
for column showers & repair parts is
no longer available.



New Bradley Touch 'N Flo Metering Valve
is available for retrofit. Adaptable on
existing metering valve column showers
with on-site machining (tool provided).

CLEANING OF SHOWER MATERIALS

Stainless Steel

Periodic and frequent cleaning will greatly prolong the service life of stainless steel equipment and, at the same time, maintain a bright surface of pleasing appearance. The amount and frequency of cleaning depends on service conditions involved.

Follow these suggestions:

1. **CLEANLINESS IS OF UTMOST IMPORTANCE.** Ordinary deposits of dirt and grease are quickly removed with soap and water. Whenever possible, the metal should be thoroughly rinsed and dried after washing. To get rid of tightly adhering deposits, use stainless steel polishing powder. In all cases, rubbing should be in the direction of polishing lines.

Warning—Never use ordinary steel wool or steel brushes on stainless steel. Always use stainless steel wool or stainless steel brushes.

2. **DO NOT PERMIT SALTY SOLUTIONS TO EVAPORATE** and dry on stainless steel.

3. **RUST—Sometimes the appearance of rust streaks on stainless steel leads to the belief that the stainless steel is rusting.** Look for the source of the rust in some iron or steel not actually a part of the stainless steel structure. A steel nail or screw may cause the trouble.

NOTE—Strongly acidic or caustic cleaners may attack the steel, causing a reddish film to appear. The use of these cleaners should be avoided.

ENAMEL

Enameled fixtures may be cleaned with any commercial detergent, liquid or powdered, as long as it contains no abrasive materials which will scratch the surface.

Enameled pedestal panels and shower columns can be coated with a high grade automobile wax to protect their finish.

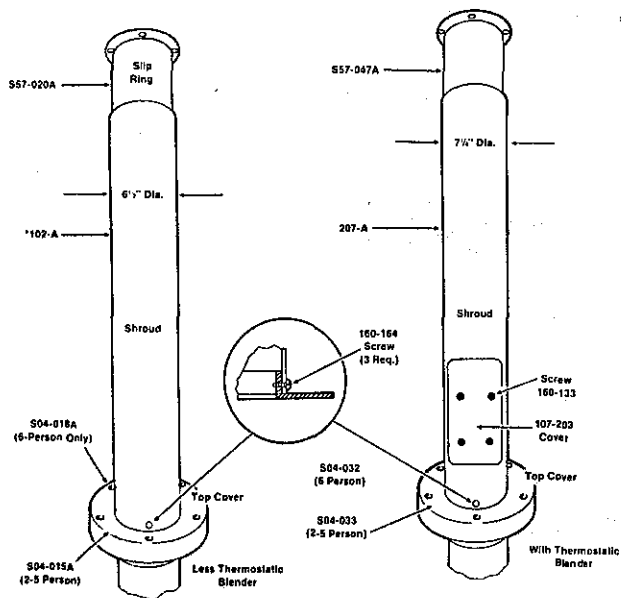
SHOWER HEAD CLEANING

If showerhead delivers an uneven spray, remove showerhead, disassemble, and remove foreign matter.

SHOWER DRAIN CLEANING

Drain can be cleaned with plumbers snake inserted through hand hole of column.

Shower Shrouds



*Submit dimension from top of drain fitting to ceiling, and from top of drain fitting to showerhead tip. Proper shroud part number will be entered on order and proper size shroud will be shipped. Do not submit shroud length. This will be determined at the factory.

SHOWER SERVICE SUGGESTIONS

Showerhead Leaks

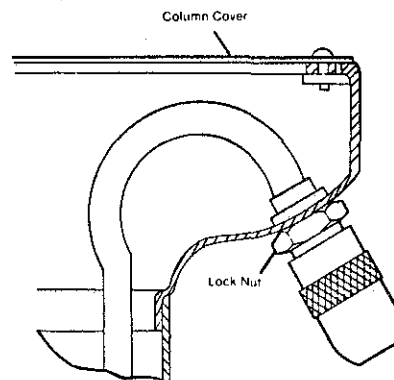
1. Replace bibb washer or renewable valve seat, using 3/8" Allen wrench.
2. A fibre washer was used under renewable valve seats prior to July 15, 1963, and may have become sufficiently distorted to leak. Remove washer and reinstall seat, using pipe dope on threads.
3. A hole may have developed in interior walls of the mixing chamber necessitating its replacement.
4. If Symmons metering or pressure balancing valves are used, refer to pages 6 and 7 for service suggestions.

Valve Leaks Around Handle

Showers furnished prior to October, 1962 used a packing ring under the bonnet. Tightening the bonnet and/or replacing the packing ring will eliminate the leak. Fixtures furnished since then have "O-rings" instead of packing rings. Dirt may lodge around "O-ring" causing leaks—clean or replace ring to stop leak.

Showerhead Angle

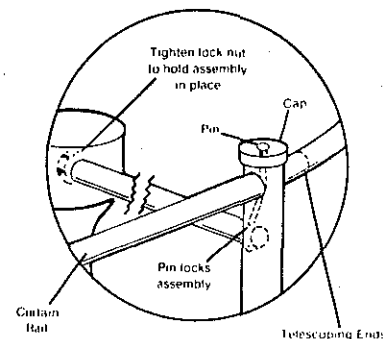
From September 8, 1958 to late 1972, the angle of the spray of Bradley showerheads could be changed as much as 15° by loosening the lock nut and bending the copper supply tube to the desired angle. This feature was discontinued due to the increasing popularity of ball joint assemblies which provide a much wider range of adjustment.



—Multi Stall Showers— Loose Framework

Prior to 1972

1. Check grouting around outside standard. If standards are loose, regrout where necessary.
2. Tighten radial brace nuts inside column cap.
3. Check proper engagement of pin lock assembly.



Bradley CORPORATION

P.O. Box 309, Menomonee Falls, WI 53051

D2459-883