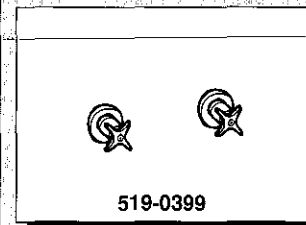


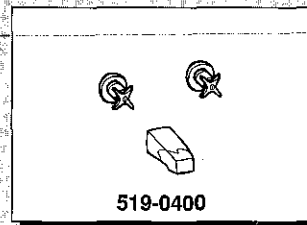
ELJER



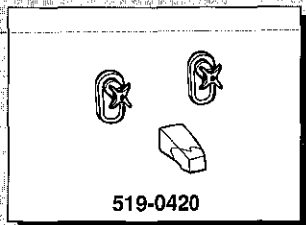
COMMERCIAL/INSTITUTIONAL Two-Valve Bath and Shower Faucet



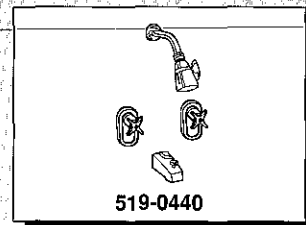
519-0399



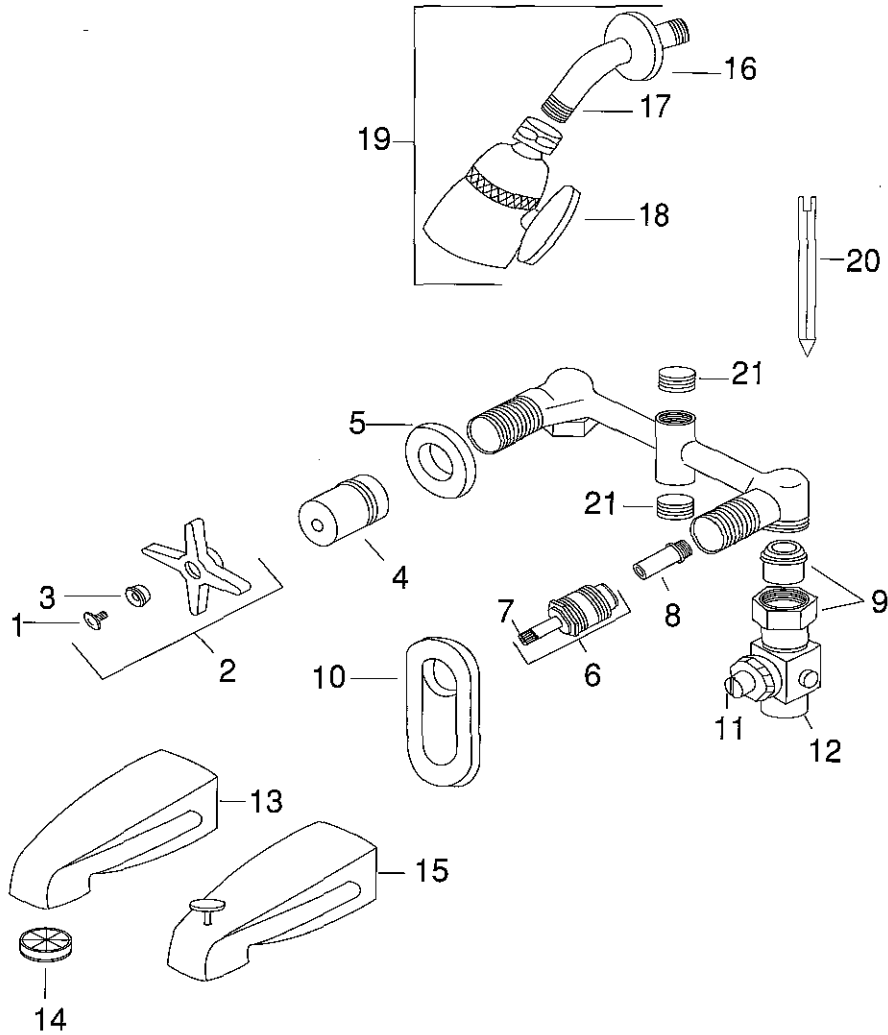
519-0400



519-0420



519-0440



DESCRIPTION	PART#
1 Handle screw C.P. Vandle resistant screw	SCR1978Z SCR9174Z
2 4-arm handle assembly	Red (H) Blue (C) HDLX8589H HDLX8589C
3 Color coded washer	Red (H) Blue (C) WAS8583ZH WAS8583ZC
4 Sleeve	SLE8148C
5 Flange	FLG8106C
6 Stem unit R.H.	RSUX8150R
7 Stem assembly	STMX2788RC

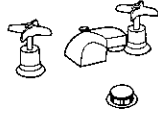
DESCRIPTION	PART#
8 Valve seat Monel valve seat	SET4703S SET6677S
9 Tailpiece & nut assembly	BAGX9095
10 Flange(for integral stops)	ESC5953C
11 Integral stop stem unit	RSUX7457
12 Integral stop assembly	BODX7458
13 C.P. spout	SPT8100C
14 Stream former	(Plastic) (Brass) STG8400Z STG5794Z

DESCRIPTION	PART#
15 Diverter spout	SPT9161Z
16 Flange	V4425
17 Shower arm	V4426
18 Showerhead	HED8532Z
19 Showerhead, arm & flange	512-0610
20 Driver bit for V/R screw	SCD9175Z
21 Threaded plug	PLG2485Z

AN ELJER
INDUSTRIES COMPANY

ELJER

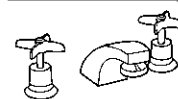
COMMERCIAL/INSTITUTIONAL Widespread Lavatory Faucet



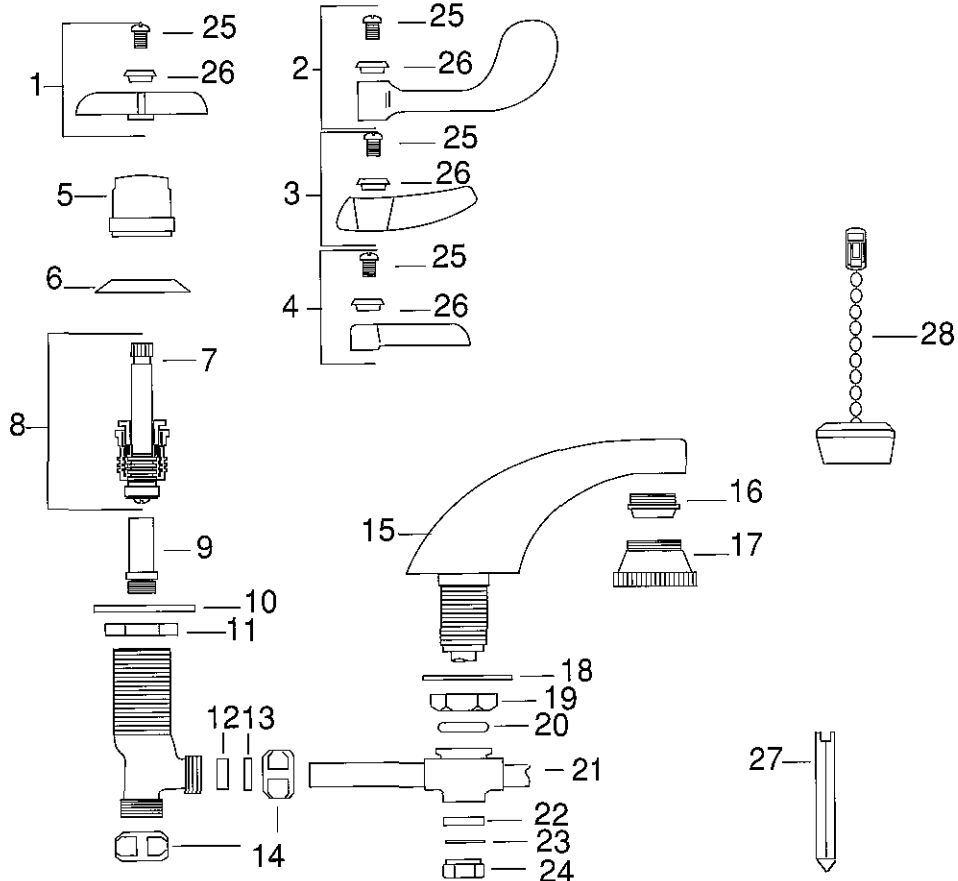
559-0250 559-0400
559-0255 559-0430



559-0500 559-0710 559-0714
559-0505 559-0712 559-0717



559-0715 559-0805
559-0720 559-0806



DESCRIPTION	PART#
1 4-arm handle assembly Red (H) Blue (C)	HDLX8589H HDLX8589C
2 4" wrist action handle assembly Red (H) Blue (C)	HDLX8586H HDLX8586C
3 Brass lever handle assembly Red (H) Blue (C)	HDLX8384H HDLX8384C
4 Zinc lever handle assembly Red (H) Blue (C)	HDLX8588H HDLX8588C
5 Sleeve	SLE8142C
6 Flange	FLG6249B
7 Stem assy. L.H. (1 req'd cold valve w/wrist or lever handle.) Stem assy. R.H. (1 req'd hot valve w/wrist or lever handle. 2 req'd H & C valves w/ 4-arm handles)	STMX2733LC STMX2733RC
8 Stem unit L.H. (1 req'd cold valve w/wrist or lever handle) Stem unit R.H. (1 req'd hot valve w/wrist or lever handle. 2 req'd H & C valves w/ 4-arm handles)	RSUX8143L RSUX8143R

DESCRIPTION	PART#
9 Valve seat Monel valve seat	SET4703S SET6677S
10 Washer	WAS8932Z
11 Locknut	NUT9049S
12 Slip-joint gasket	GAS1312Z
13 Friction ring	RIG1313Z
14 Coupling nut	SW12NUT1
15 Spout for pop-up waste 6" spout (less pop-up hole) Spout for chain & stopper Spout unit for flat strainer C.P. plug and fittings.	SPTX6709 SPTX8896 SPTX6710 SPTX6712
16 Aerator Vandal-proof aerator	V3101 AER4966Z
17 Sprayhead assy.	SAYX6452
18 Washer	WAS1318Z

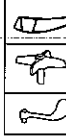
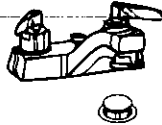
DESCRIPTION	PART#
19 Locknut	NUT5420S
20 "O" Ring	ORI5574Z
21 Tee unit - 8" centers - 10" centers - 12" centers	TEEX5415 TEEX5422 TEEX5576
22 Gasket	GAS5417Z
23 Gasket	GAS5418Z
24 Locknut	NUT5419S
25 Handle screw C.P. Vandle resistant handle screw	SCR1978Z SCR9174Z
26 Color coded washer (Red) (Blue)	WAS8583ZH WAS8583ZC
27 Driver bit for V/R screw	SCD9175Z
28 Chain and stopper	STR4127Z
** Pop-up waste assembly	V7300ELJ

** Not shown, for parts information see page C29.

AN ELJER
INDUSTRIES COMPANY

ELJER

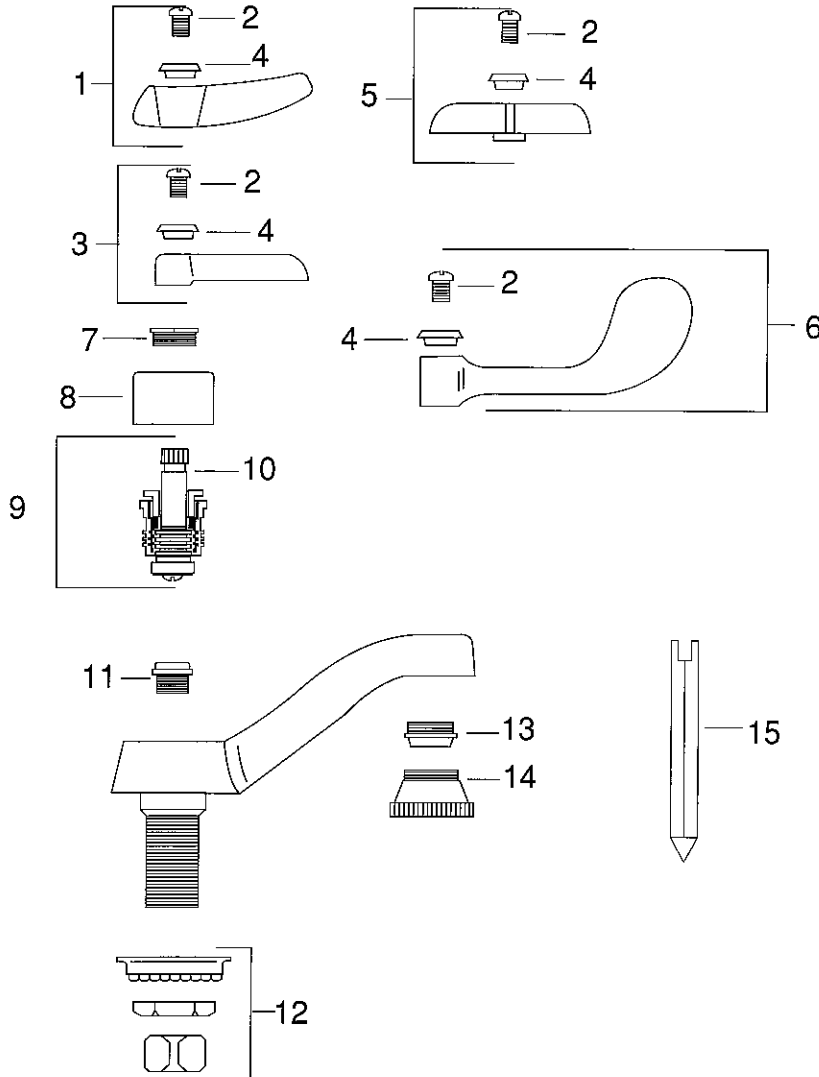
COMMERCIAL/INSTITUTIONAL 4" Centerset Lavatory Faucets



559-1500 559-1505 559-1700
559-1503 559-1515 559-1705



559-2010 559-2019 559-2200
559-2011 559-2020 559-2300
559-2018 559-2021



DESCRIPTION	PART#
1 Brass lever handle Red (H) assembly Blue (C)	HDLX8384H HDLX8384C
2 Handle screw C.P. Vandle resistant screw	SCR1978Z SCR9174Z
3 Zinc lever handle Red (H) assembly Blue (C)	HDLX8588H HDLX8588C
4 Color coded washer Red Blue	WAS8583ZH WAS8583ZC
5 4-arm handle Red (H) assembly Blue (C)	HDLX8589H HDLX8589C
6 4" wrist action Red (H) handle Blue (C)	HDLX8586H HDLX8586C

DESCRIPTION	PART#
7 Adaptor	ADP8286Z
8 Escutcheon	ESC8285C
9 Stem unit L.H. (1 req'd cold valve w/wrist or lever handle.) Stem unit R.H. (1 req'd hot valve w/wrist or lever handle. 2 req'd H & C valves w/ 4-arm handles)	RSUX8056L RSUX8056R
10 Stem assy. L.H. (1 req'd cold valve w/wrist or lever handle.) Stem assy. R.H. (1 req'd hot valve w/wrist or lever handle. 2 req'd, H & C valves w/ 4-arm handles)	STMX4290LC STMX4290RC

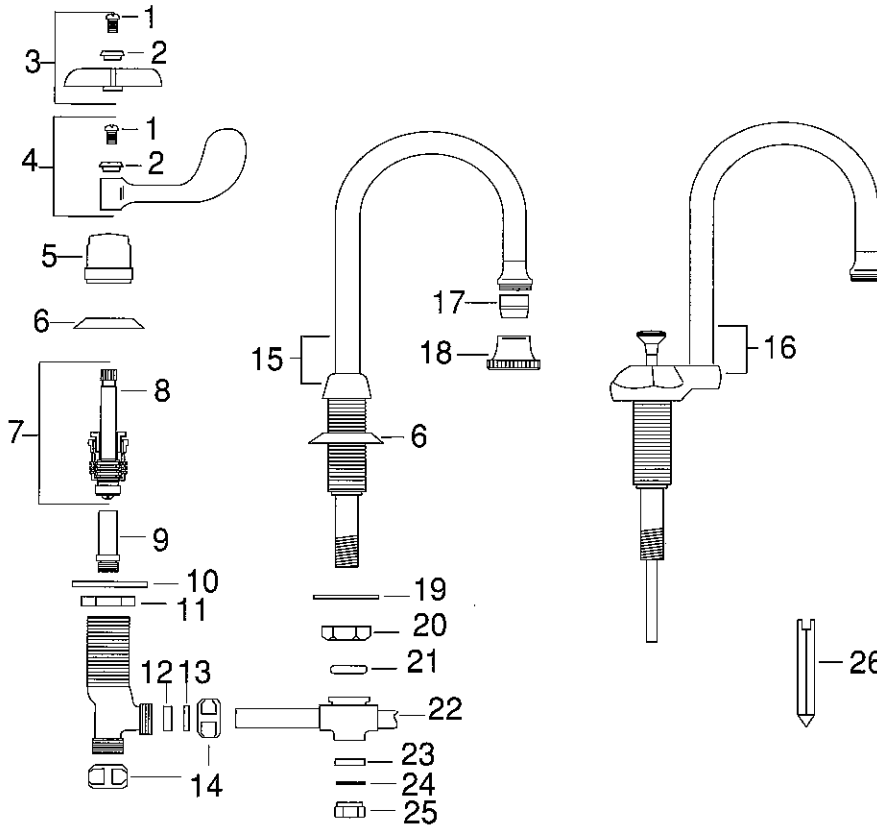
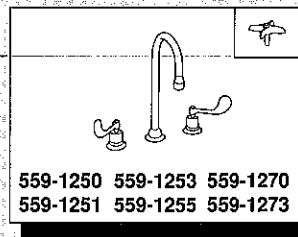
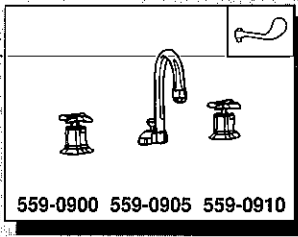
DESCRIPTION	PART#
11 Valve seat Monel valve seat	SET2734S SET6113S
12 Mounting parts bag (2 of each part)	BAGX8799
13 Aerator Vandal-proof aerator	V3101 AER 4966Z
14 Sprayhead assembly	SAYX6452
15 Driver bit for V/R screw	SCD9175Z
** Pop-up waste assembly	V7300ELJ

** Not shown, for parts information see page C29.

AN ELJER
INDUSTRIES COMPANY

ELJER

COMMERCIAL/INSTITUTIONAL Widespread Lavatory Faucets



DESCRIPTION	PART#
1 Handle screw C.P. Vandle resistant handle screw	SCR1978Z SCR9174Z
2 Color coded washer Red Blue	WAS8583ZH WAS8583ZC
3 4-arm handle assembly Red (H) Blue (C)	HDLX8589H HDLX8589C
4 4" wrist action handle assembly Red (H) Blue (C) 6" wrist action handle assembly Red (H) Blue (C)	HDLX8586H HDLX8586C HDLX8587H HDLX8587C
5 Sleeve	SLE8142C
6 Flange	FLG6249B
7 Stem unit L.H. (1 req'd cold valve w/wrist action handle.) Stem unit R.H. (1 req'd hot valve w/wrist action handle. 2 req'd H & C valves w/ 4-arm handles)	RSUX8143L RSUX8143R
8 Stem assy. L.H. (1 req'd cold valve w/wrist action handle.) Stem assy.R.H.(1 req'd hot valve w/wrist action handle. 2 req'd, H & C valves w/ 4-arm handles)	STMX2733LC STMX2733RC

DESCRIPTION	PART#
9 Valve seat Monel valve seat	SET4703S SET6677S
10 Washer	WAS8932Z
11 Locknut	NUT9049S
12 Slip-joint gasket	GAS1312Z
13 Friction ring	RIG1313Z
14 Coupling nut	SW12NUT1
15 Spout assembly	SPTX9153
16 Spout assy. (lift rod not incl.)	SPTX6659
17 Aerator	V7068
18 Sprayhead assembly	SAYX6454
19 Washer	WAS1318Z
20 Locknut	NUT5420S
21 "O" Ring	ORI5574Z
22 Tee unit -8" centers -10" centers -12" centers	TEEX5415 TEEX5422 TEEX5576

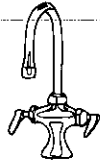
DESCRIPTION	PART#
23 Gasket	GAS5417Z
24 Gasket	GAS5418Z
25 Locknut	NUT5419S
26 Driver bit for V/R screw	SCD9175Z
** Pop-up waste assembly	V7300ELJ

** Not shown, for parts information see page C29.

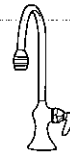
AN ELJER
INDUSTRIES COMPANY

ELJER

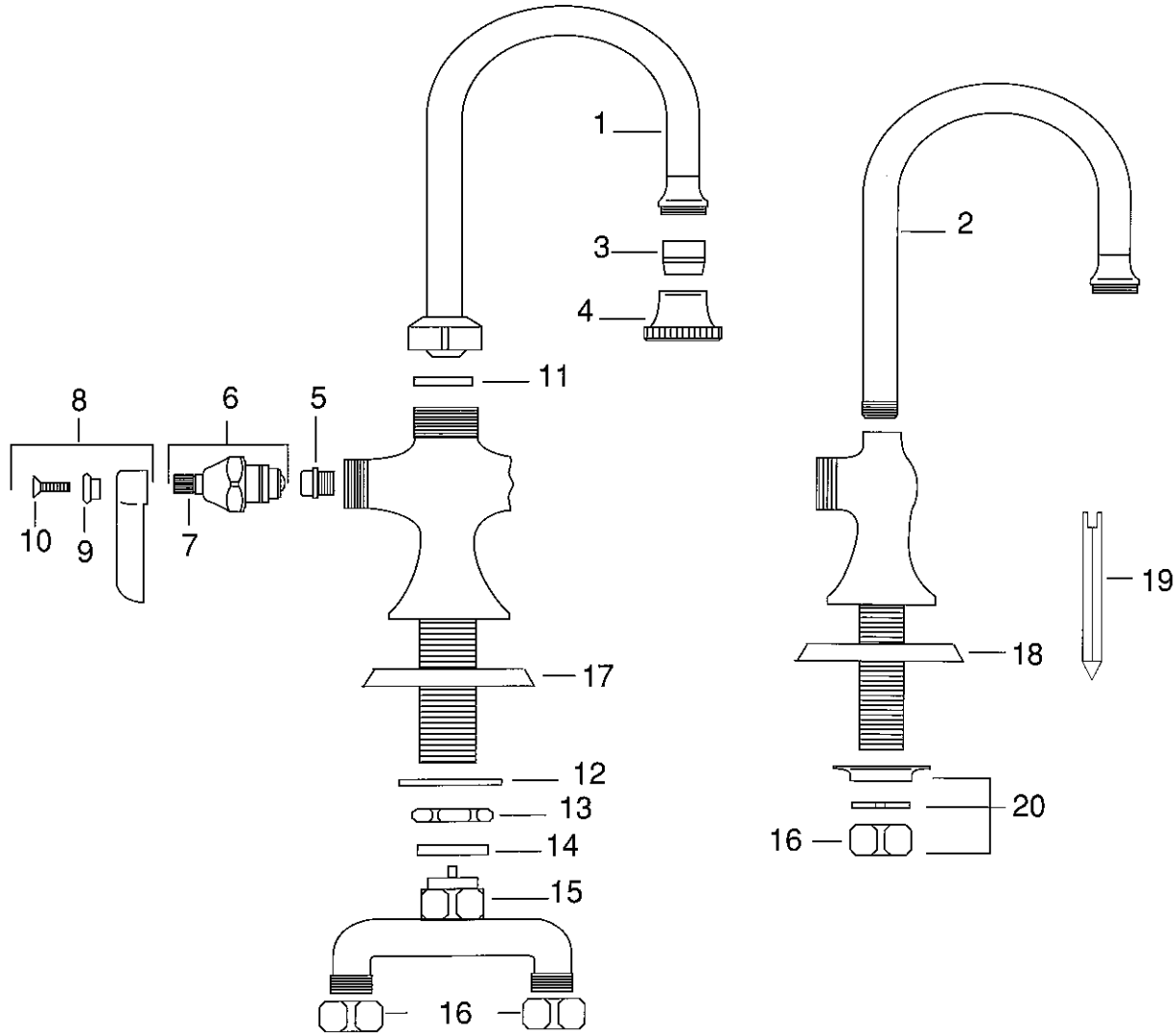
COMMERCIAL/INSTITUTIONAL Single- and Dual-Control Pantry Faucets



559-2830



559-2850 559-2851



DESCRIPTION	PART#
1 Gooseneck spout assembly	SPTX6667
2 Gooseneck spout assembly	SPTX6666
3 Aerator	V7068
4 Sprayhead assembly	SAYX6454
5 Valve seat Monel valve seat	SET2734S SET6113S
6 Stem unit L.H. (1 req'd cold valve on double faucet) (1 req'd H or C valve on single faucet)	RSUX2808LC
Stem unit R.H. (1 req'd hot valve on double faucet)	RSUX2808RC

DESCRIPTION	PART#
7. Stem assy. L.H. (1 req'd cold valve on double faucet) (1 req'd H or C valve on single faucet)	STMX2807LC
Stem assy. R.H. (1 req'd hot valve on double faucet)	STMX2807RC
8 Zinc lever handle Red (H) assembly Blue (C)	HDLX8588H HDLX8588C
9 Color coded washer Red Cold	WAS8583ZH WAS8583ZC
10 Handle screw Vandle resistant screw	SCR1978Z SCR9174Z
11 Gasket	GAS3770Z

DESCRIPTION	PART#
12 Washer	WAS8932Z
13 Locknut	NUT3789S
14 Gasket	GAS4392Z
15 Double tee assembly	TEEX4336
16 Coupling nut	SW12NUT1
17 Flange	FLG8542C
18 Flange	FLG8543C
19 Driver bit for V/R screw	SCD9175Z
20 Mounting parts bag	BAGX9039

AN ELJER
INDUSTRIES COMPANY

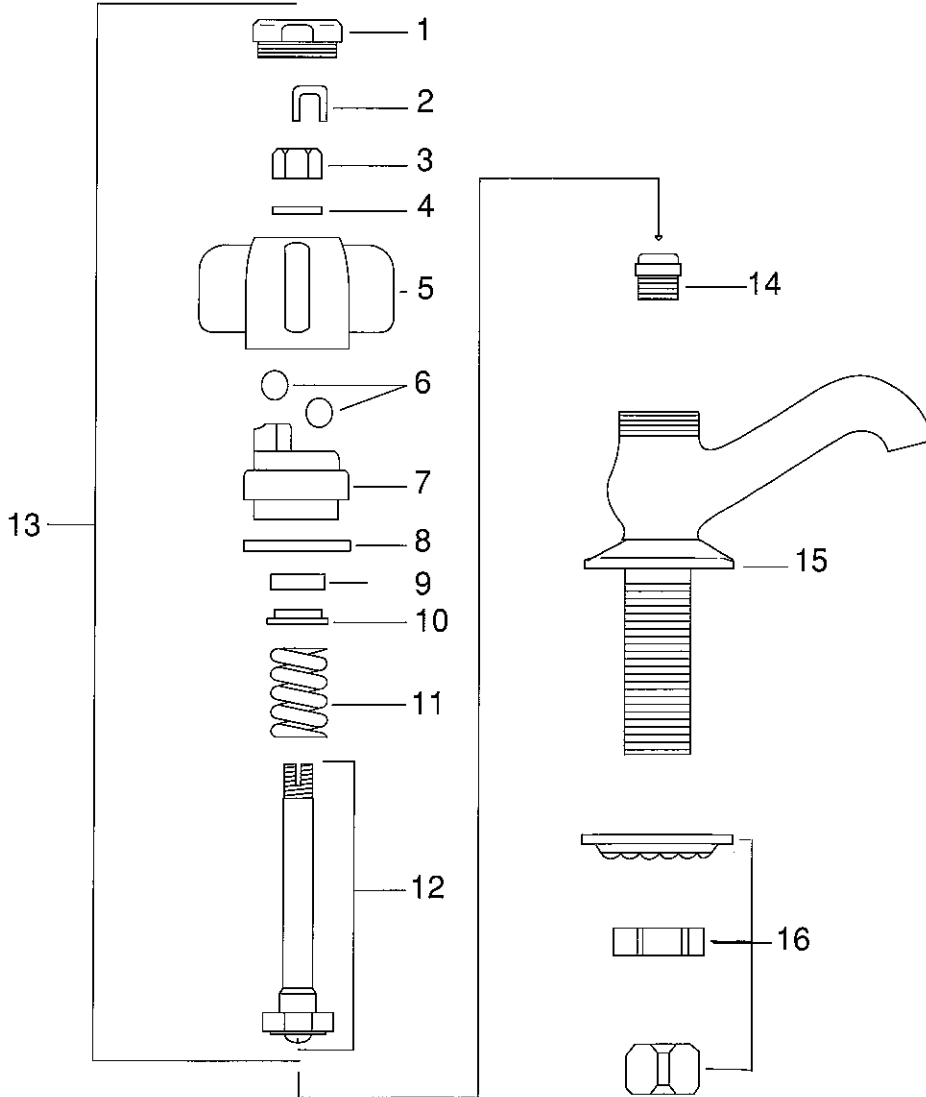
ELJER



COMMERCIAL/INSTITUTIONAL Single-Control Self-Closing Lavatory Faucet



559-2890 559-2891



DESCRIPTION	PART#
1 Index nut Hot (H) Cold (C)	NUT4800CH NUT4800CC
2 Nut lock	NUT2001Z
3 Locknut	NUT1989S
4 Washer	WAS1996Z
5 Handle	HDL4695C
6 Ball (2 req'd)	BAL1984Z
7 Bonnet	BON4786C

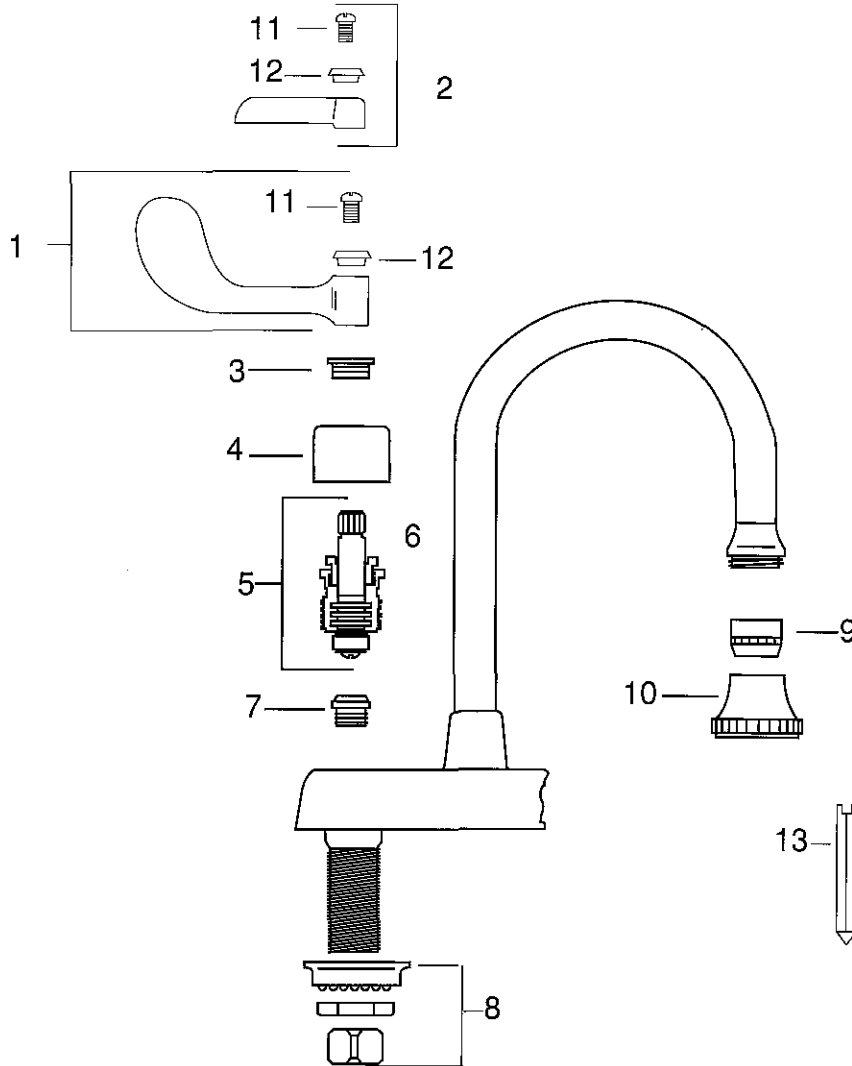
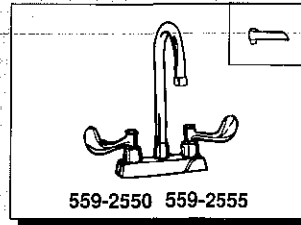
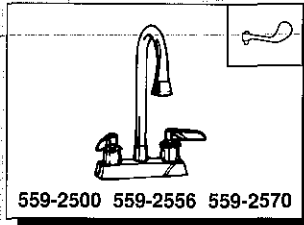
DESCRIPTION	PART#
8 Washer	WAS1997Z
9 Packing	PAK1994Z
10 Washer	WAS1990S
11 Spring	SPG1993Z
12 Stem assembly	STMX8782
13 Self-closing handle assy. -Cold -Hot	HDLX4839C HDLX4839H
14 Seat	SET2734S

DESCRIPTION	PART#
15 Flange	FLG8543C
16 Mounting parts bag	BAGX9039

AN **ELJER**
INDUSTRIES COMPANY

ELJER

COMMERCIAL/INSTITUTIONAL 4" Centerset Gooseneck Lavatory Faucets



	DESCRIPTION		PART#
1	4" wrist action handles Red (H) Blue (C)	HDLX8586H HDLX8586C	
2	Zinc lever handle assembly Red (H) Blue (C)	HDLX8588H HDLX8588C	
3	Adaptor	ADP8286Z	
4	Escutcheon	ESC8285C	
5	Stem unit L.H. Stem unit R.H.	Cold valve Hot valve	RSUX8056L RSUX8056R
6	Stem assy. L.H. Stem assy. R.H.	Cold valve Hot valve	STMX4290LC STMX4290RC

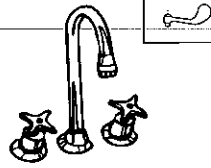
	DESCRIPTION	PART#
7	Valve seat Monel valve seat	SET2734S SET6113S
8	Mounting parts bag (2 of each part)	BAGX8799
9	Aerator	V7068
10	Sprayhead assembly	SAYX6454
11	Handle screw C.P. Vandle resistant handle screw	SCR1978Z SCR9174Z
12	Color coded washer Red Blue	WAS8583ZH WAS8583ZC

	DESCRIPTION	PART#
13	Driver bit for V/R screw	SCD9175Z

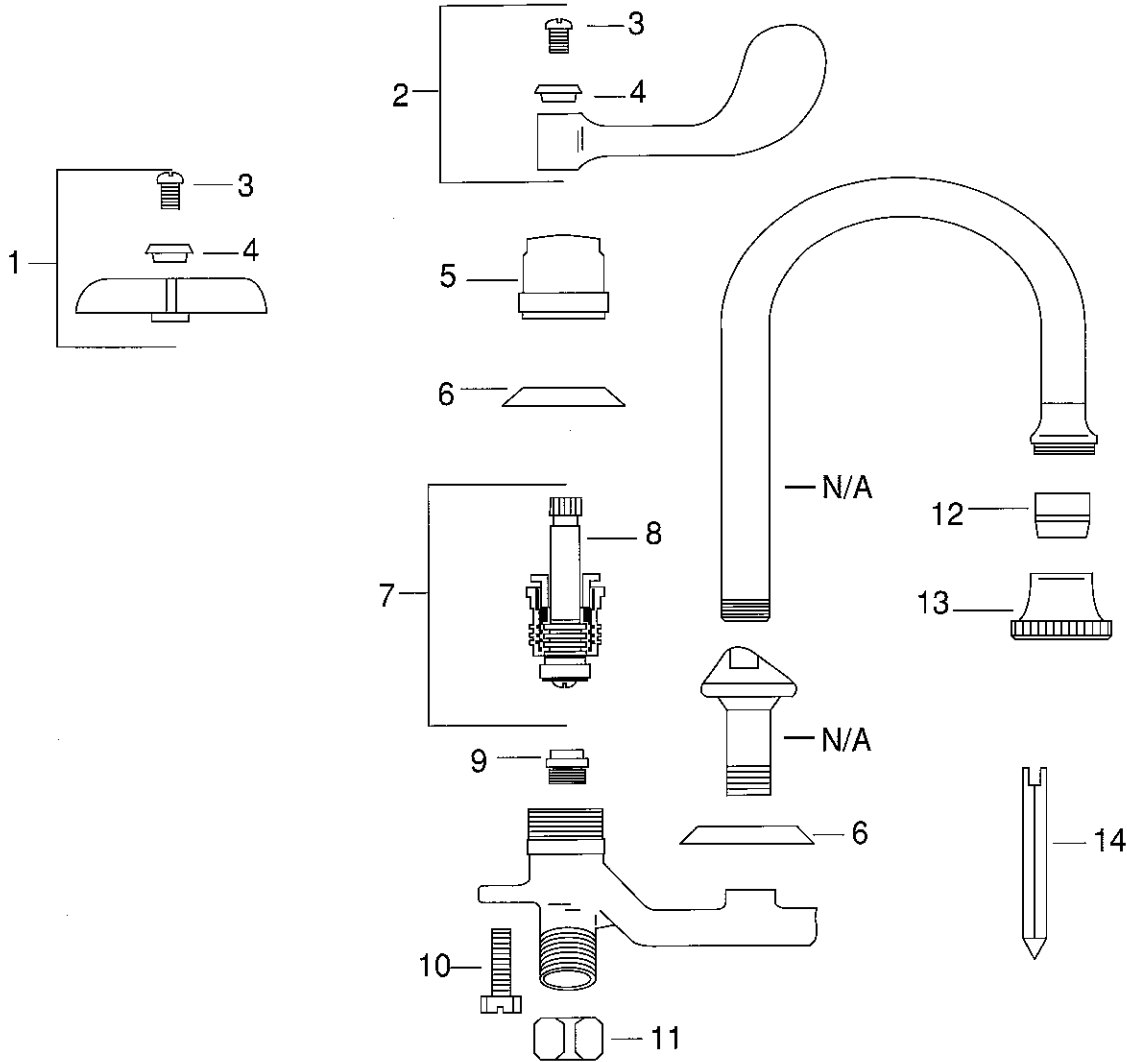
AN **ELJER**
INDUSTRIES COMPANY

ELJER

COMMERCIAL/INSTITUTIONAL Slant-Back Lavatory Faucet



559-2700 559-2705 559-2745



DESCRIPTION	PART#
1 4-arm handle assy. Red(H) Blue(C)	HDLX8589H HDLX8589C
2 4" wrist action handle assembly Red(H) Blue(C)	HDLX8586H HDLX8586C
3 Handle screw C.P. Vandal resistant screw	SCR1978Z SCR9174Z
4 Color coded washer Red Blue	WAS8583ZH WAS8583ZC
5 C.P. sleeve	SLE8142C
6 Flange	FLG6249B

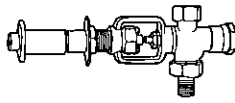
DESCRIPTION	PART#
7 Stem unit L.H. (1 req'd hot valve w/ 4" wrist handles) Stem unit R.H. (1 req'd hot valve w/ 4" wrist handles, 2 req'd H&C valves w/ 4-arm handles)	RSUX8143L RSUX8143R
8 Stem assy. L.H. (1 req'd hot valve w/ 4" wrist handles) Stem assy. R.H. (1 req'd cold valve w/ 4" wrist handles, 2 req'd H&C valves w/ 4-arm handles)	STMX2733LC STMX2733RC
9 Valve seat Monel valve seat	SET2734S SET6113S

DESCRIPTION	PART#
10 Adjusting screw	SCR5668Z
11 Coupling nut	SW12NUT1
12 Aerator	V7068
13 Sprayhead assembly	SAYX6454
14 Driver bit for V/R screw	SCD9175Z

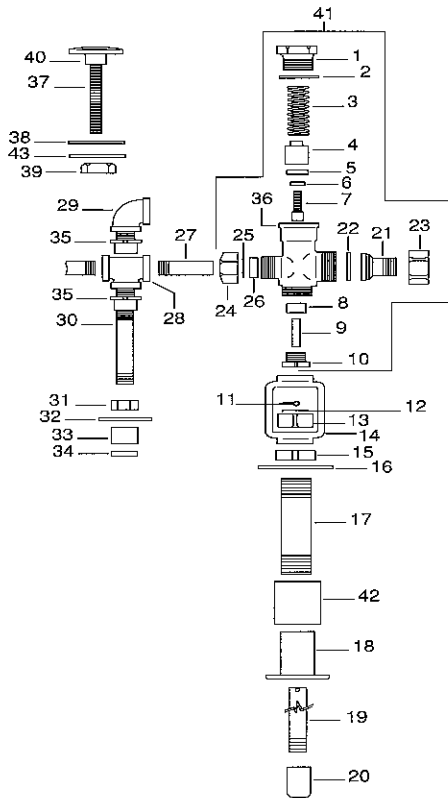
AN **ELJER**
INDUSTRIES COMPANY

ELJER

COMMERCIAL/INSTITUTIONAL Prison Lavatory Faucet



559-0861-__ 559-0871-__



VARIABLE LENGTH PARTS

Wall Thickness	Sleeve #17	Push Rod #19	Supply Tube #30	All Thread #37
1	SLE1967P371	ROD1968M415	TUB3631P512	ROD2514P040
2	SLE1967P471	ROD1968M515	TUB3631P612	ROD2514P050
3	SLE1967P571	ROD1968M615	TUB3631P712	ROD2514P060
4	SLE1967P671	ROD1968M715	TUB3631P812	ROD2514P070
5	SLE1967P771	ROD1968M815	TUB3631P912	ROD2514P080
6	SLE1967P871	ROD1968M915	TUB3631P101	ROD2514P090
7	SLE1967P971	ROD1968M106	TUB3631P111	ROD2514P100
8	SLE1967P107	ROD1968M116	TUB3631P121	ROD2514P110
9	SLE1967P117	ROD1968M126	TUB3631P131	ROD2514P120
10	SLE1967P127	ROD1968M136	TUB3631P141	ROD2514P130
11	SLE1967P137	ROD1968M146	TUB3631P152	ROD2514P140
12	SLE1967P147	ROD1968M156	TUB3631P161	ROD2514P150

	DESCRIPTION	PART#
1	Cap	CAP1623S
2	Gasket	GAS1644Z
3	Spring	SPG1643Z
4	Valve head	HED1641M
5	Seat washer	GAS1213Z
6	Collar	COL1331S
7	Valve stem	STM4548S
8	Packing	WAS1659Z
9	Valve stem	STM3815S
10	Packing nut	NUT1620S
11	Cotter pin	COP1017Z
12	Friction washer	WAS1996Z
13	Guide nut	NUT1645S
14	Yoke	YOK1619P
15	Locknut	NUT2272S

	DESCRIPTION	PART#
16	Washer	WAS1350Z
17	Sleeve	SLE1967P***
18	Flange	FLG1621C
19	Push rod	ROD1968M***
20	Push button	BUT1622C
21	Tailpiece Tailpiece Sweat connection	TPL1303S TPL9065S
22	Gasket	GAS2802Z
23	Coupling nut	NUT1378S
24	Coupling nut	SW12NUT1
25	Slip joint gasket	GAS1312Z
26	Friction ring	RIG1313Z
27	Tube (3 5/8")	TUB3630P
28	Tee 1/4" IPS (two valve)	TEE2360Z
29	Elbow 1/4" IPS (single valve)	EBL2357Z
30	Supply tube	TUB3631P***

	DESCRIPTION	PART#
31	Locknut	NUT1076S
32	Washer	WAS1027Z
33	Expansion gasket	PLG2277Z
34	Collar	COL1451S
35	Compression fitting	ADP9071Z
36	Valve body	BOD1618M
37	All thread rod	ROD2514P***
38	Washer	WAS1062Z
39	Hex nut	NUT2500Z
40	Bolt head	BOL3955C
41	Body assembly (IPS) Body assembly (sweat)	BODX6672 BODX7223
42	Plastic sleeve	SLE9022Z
43	Washer	V4691

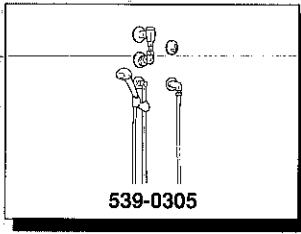
*** Variable length part. See chart above.

AN **ELJER**
INDUSTRIES COMPANY

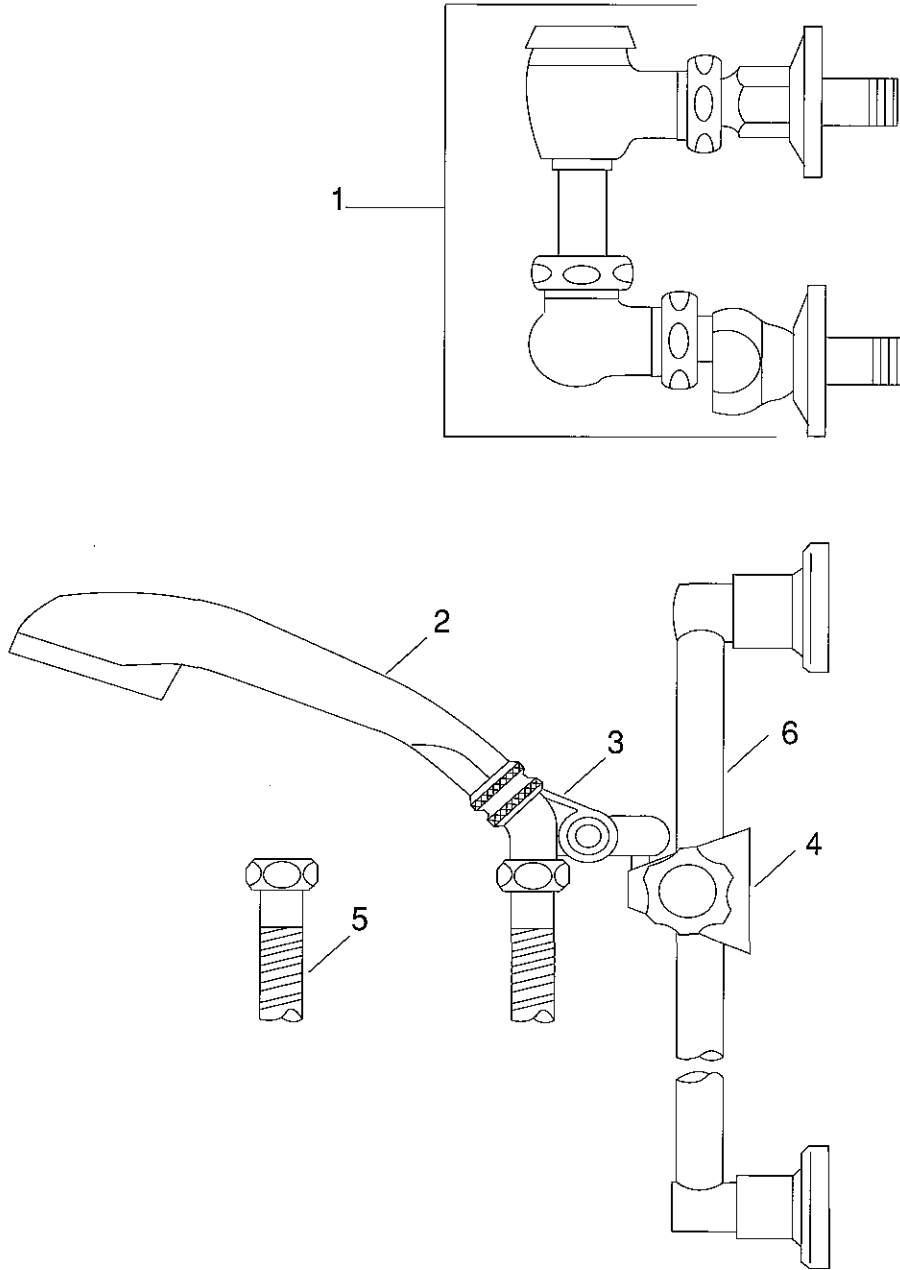
ELJER



COMMERCIAL/INSTITUTIONAL Handspray Shower Assembly



539-0305



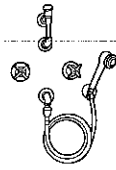
DESCRIPTION	PART#
1 Vacuum breaker assembly	480-892-G
2 Spray head	480-SP2666

DESCRIPTION	PART#
3 Swivel	480-SP2665
4 Bar slide complete with post	480-SP3330

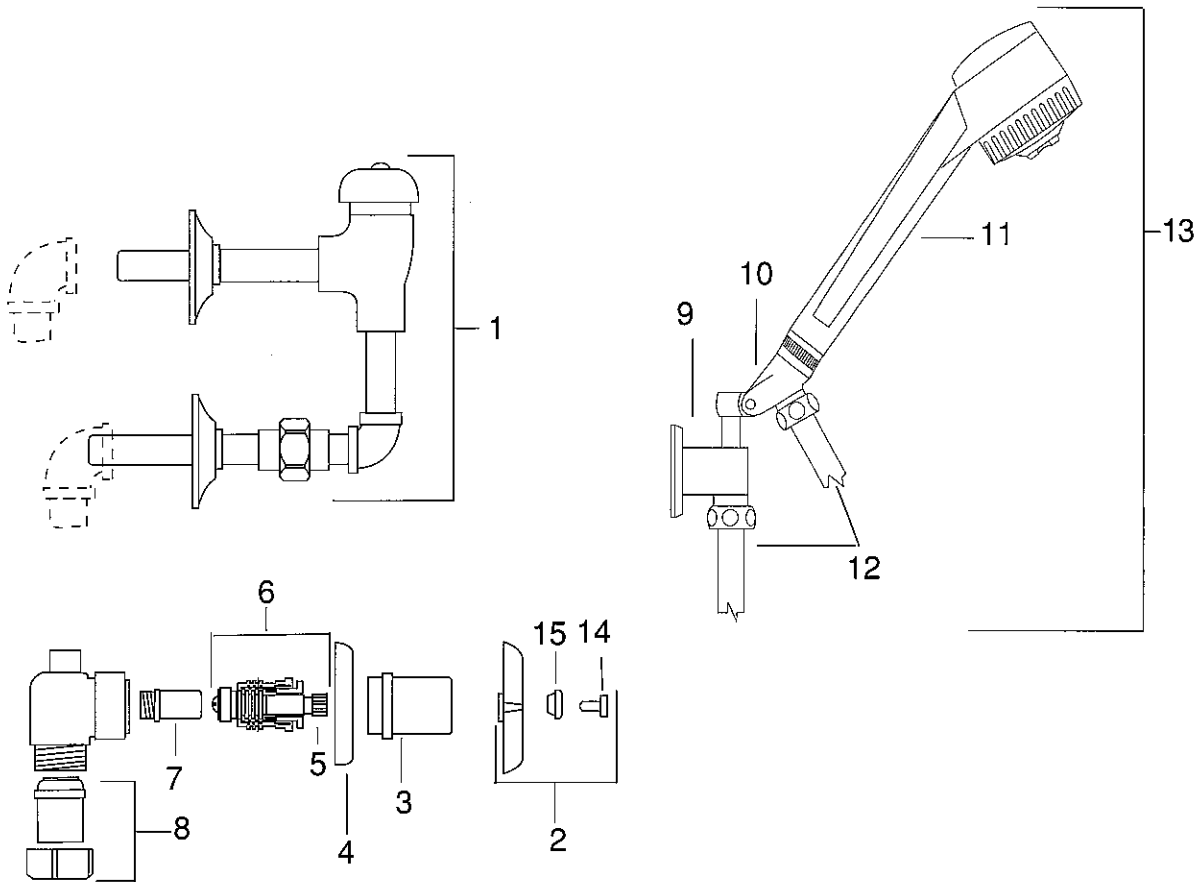
DESCRIPTION	PART#
5 59" C.P. metal wrapped hose	480-SP3409K
6 51" Adjusting bar (includes 480-SP3330, item 4)	480-SP3907

ELJER

COMMERCIAL/INSTITUTIONAL Wall-Mounted Shampoo Faucet



559-2800



DESCRIPTION	PART#
1 Vacuum breaker assembly	VABX5712
2 4-arm handle assembly Red(H) Blue(C)	HDLX8589H HDLX8589C
3 Sleeve	SLE8148C
4 Flange	FLG8106C
5 Stem assembly, R.H. thread	STMX2788RC

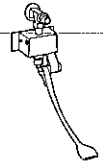
DESCRIPTION	PART#
6 Stem unit R.H. thread	RSUX8150R
7 Valve seat, brass	SET4703S
8 Universal parts bag	BAGX9095
9 Supply elbow with flange	ELB8496Z
10 Swivel connection	SWI8494Z
11 Hand shower	SHR8493Z

DESCRIPTION	PART#
12 5' nylon reinforced white vinyl hose	HOS8495Z
13 Sprayhead, hose & elbow assy.	HOS8497Z
14 Handle screw	SCR1978Z
15 Color coded washer Red Blue	WAS8583ZH WAS8583ZC

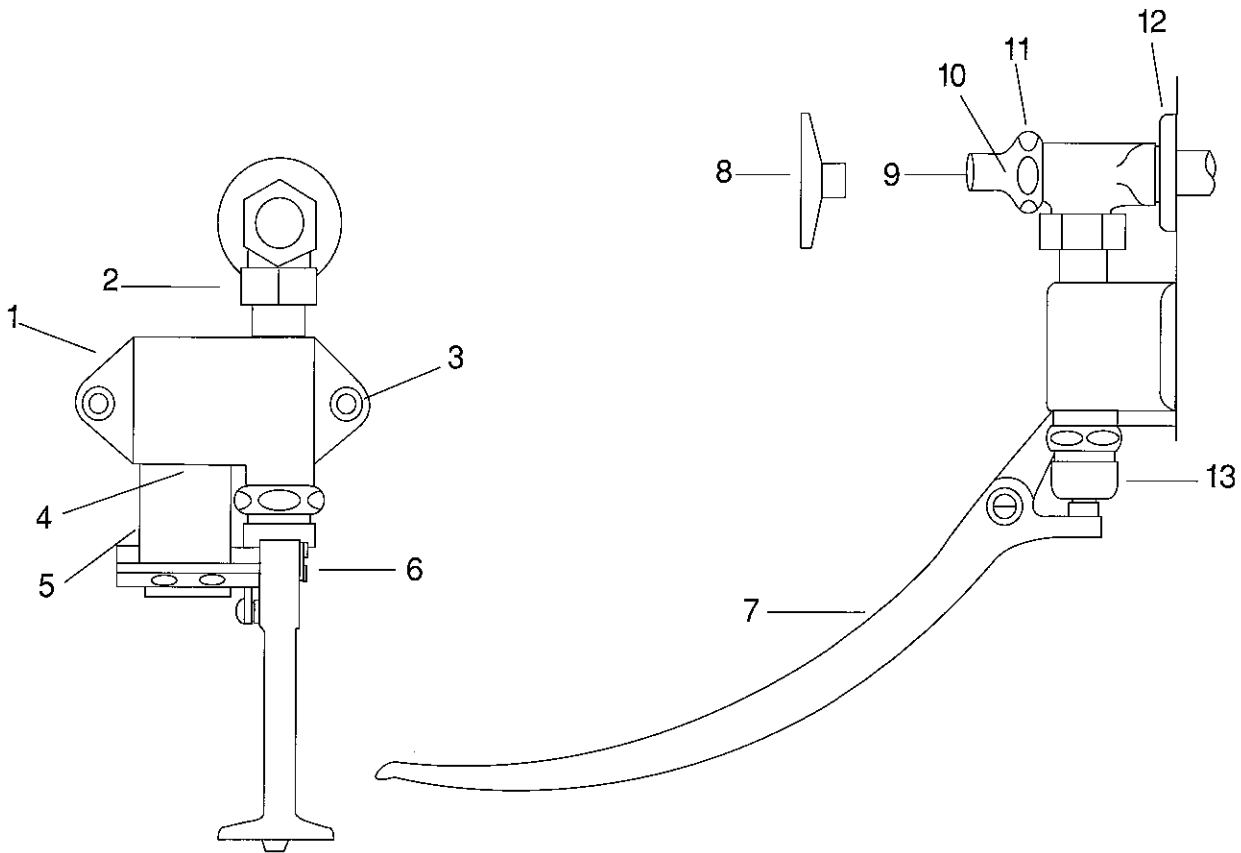
AN **ELJER**
INDUSTRIES COMPANY

ELJER

COMMERCIAL/INSTITUTIONAL Wall-Mounted Self-Closing Single Pedal Mixing Valve



559-2965



DESCRIPTION	PART#
1 Body	480-806-151
2 Coupling nut	480-625-45
3 Machine screw Ackerman-Johnson anchor	480-498-4 480-498-3
4 Bracket screws (2)	480-625-6
5 Bracket	480-834-13K

DESCRIPTION	PART#
6 Shoulder bolt	480-625-61
7 Pedal	480-834-207K
8 Tee handle	480-293-6
9 Button	480-1-144
10 Valve unit **	480-217-X-LH
11 Cap	480-1-46

DESCRIPTION	PART#
12 Flange	480-806-7
13 Valve unit †	480-625-X

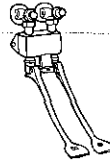
** For valve unit parts see page C16.

† For valve unit parts see page C17.

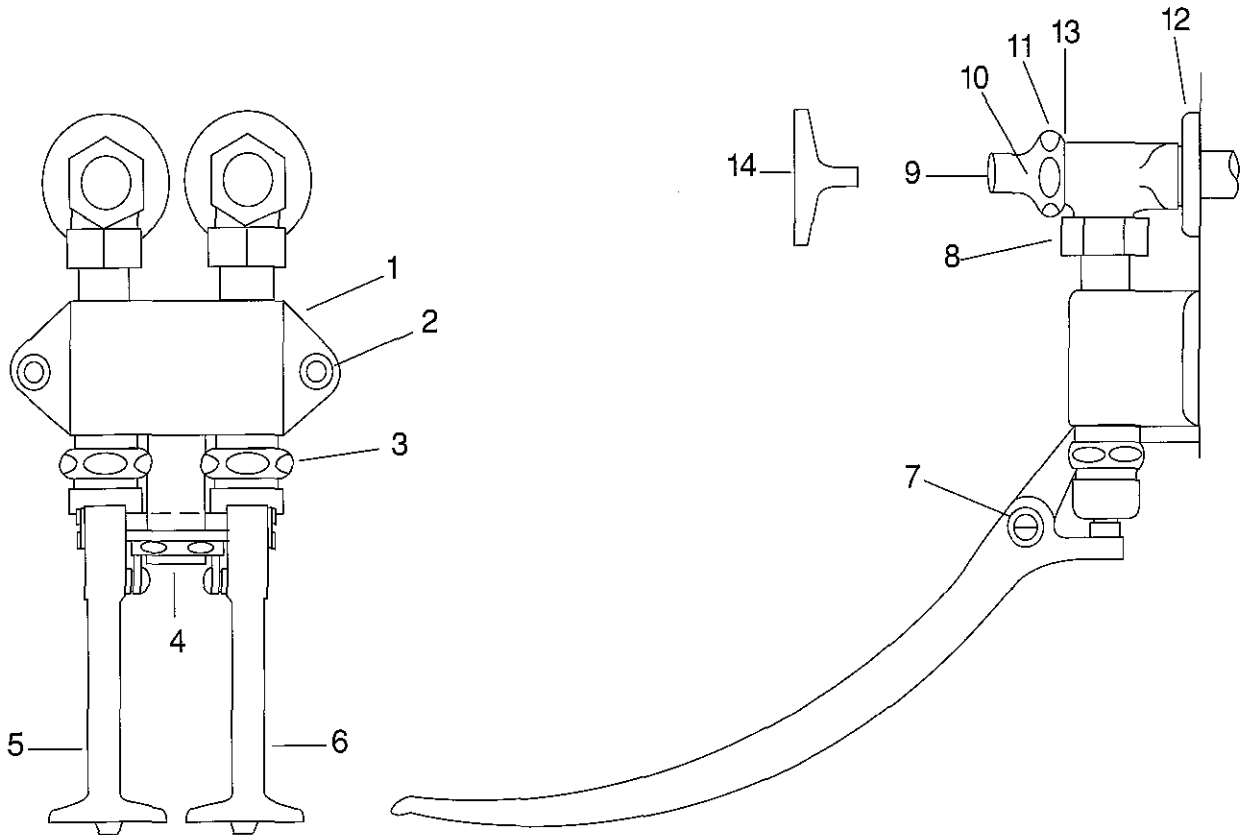
ELJER



COMMERCIAL/INSTITUTIONAL Wall-Mounted Self-Closing Double Pedal Mixing Valve



559-2955



DESCRIPTION	PART#
1 Body	480-625-52
2 Machine screw Ackerman-Johnson anchor	480-498-4 480-498-3
3 Valve unit **	480-625-X
4 Bracket Bracket screws (2) Pedal stop Screws (2)	480-834-13 480-625-6 480-834-12 480-76-8
5 L.H. Pedal assy. Pedal Screw L.H. spring Adjusting tip	(Hot) 480-834-7K (Hot) 480-834-7 480-173-32 480-834-10 480-745-25

DESCRIPTION	PART#
6 R.H. Pedal assy. Pedal Screw R.H. spring Adjusting tip	(Cold) 480-834-107K (Cold) 480-834-107 480-173-32 480-834-11 480-745-25
7 Shoulder bolt	480-625-61
8 Coupling nut	480-625-45
9 Button	480-1-144
10 Valve unit †	480-217-X-LH
11 Cap	480-1-246
12 Flange	480-417-19

DESCRIPTION	PART#
13 Gasket	480-1-43
14 Tee handle	480-293-6

** For valve unit parts see page C17.

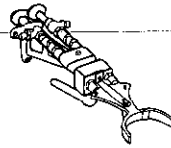
† For valve unit parts see page C16.

AN ELJER
INDUSTRIES COMPANY

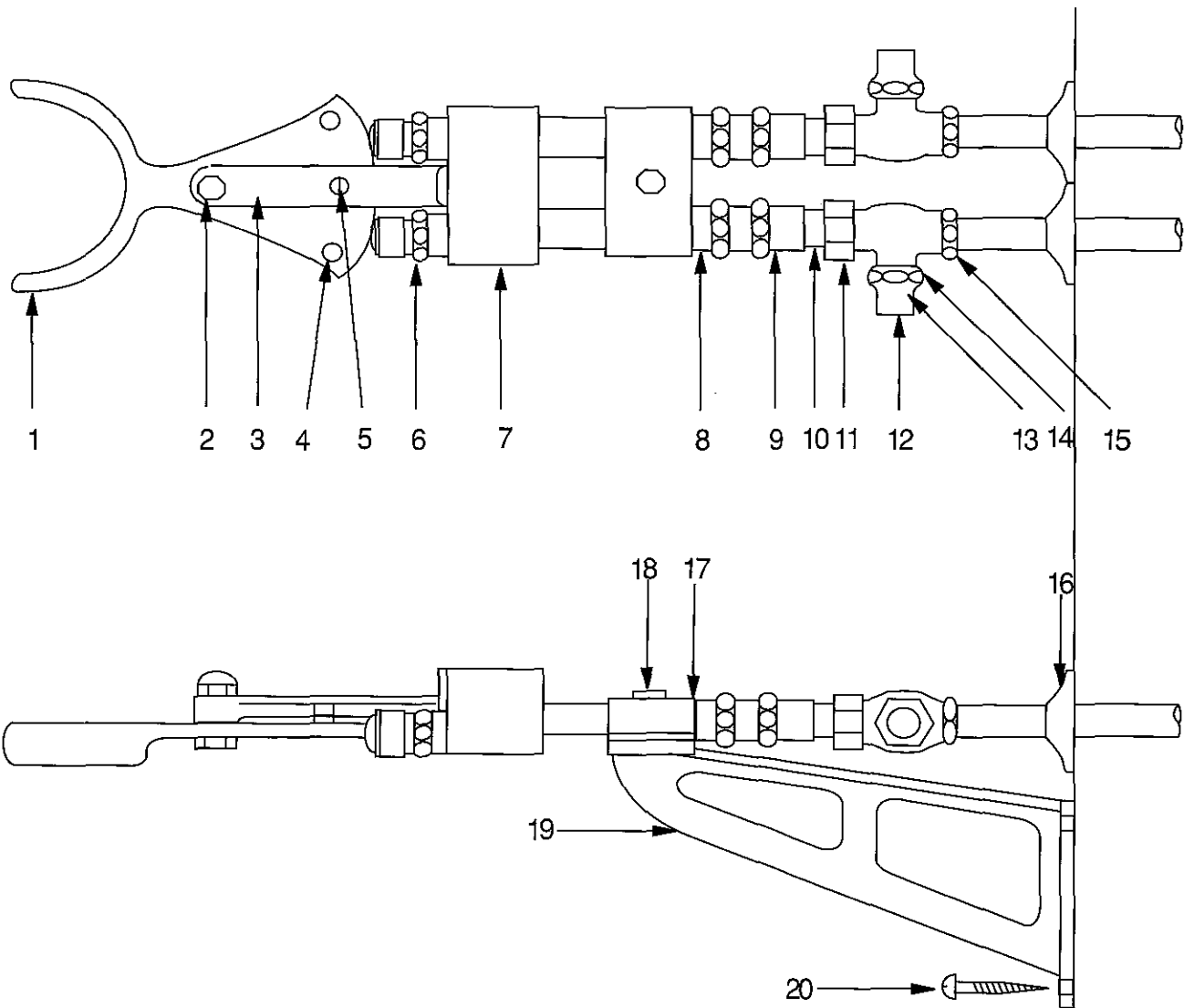
ELJER



COMMERCIAL/INSTITUTIONAL Wall-Mounted Knee Action Mixing Valve



559-2975



DESCRIPTION	PART#
1 Cam lever	480-745-23
2 Bolt Washer Acorn nut	480-745-3 480-745-5 480-745-26
3 Bracket Bracket screws	480-745-22 480-625-6
4 Bumper Screws	480-745-24 480-250-93
5 Leveling screw	480-745-25
6 Valve unit **	480-745-X

DESCRIPTION	PART#
7 Body	480-745-21
8 Coupling	480-530-12
9 1.6 GPM Stei-Flo unit	480-1021
10 Tailpiece	480-625-50
11 Coupling nut	480-625-45
12 Button	480-1-144
13 Valve unit †	480-217-X-LH
14 Cap	480-1-46

DESCRIPTION	PART#
15 Body	480-625-11
16 Flange	480-749-16
17 Clamp	480-649-5
18 Bolt Washer	480-649-6 480-745-5
19 Bracket	480-649-3
20 Wood screw	480-649-4

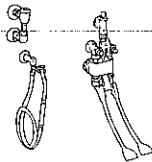
** For valve unit parts see page C18.

† For valve unit parts see page C16.

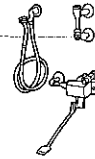
AN **ELJER**
INDUSTRIES COMPANY

ELJER

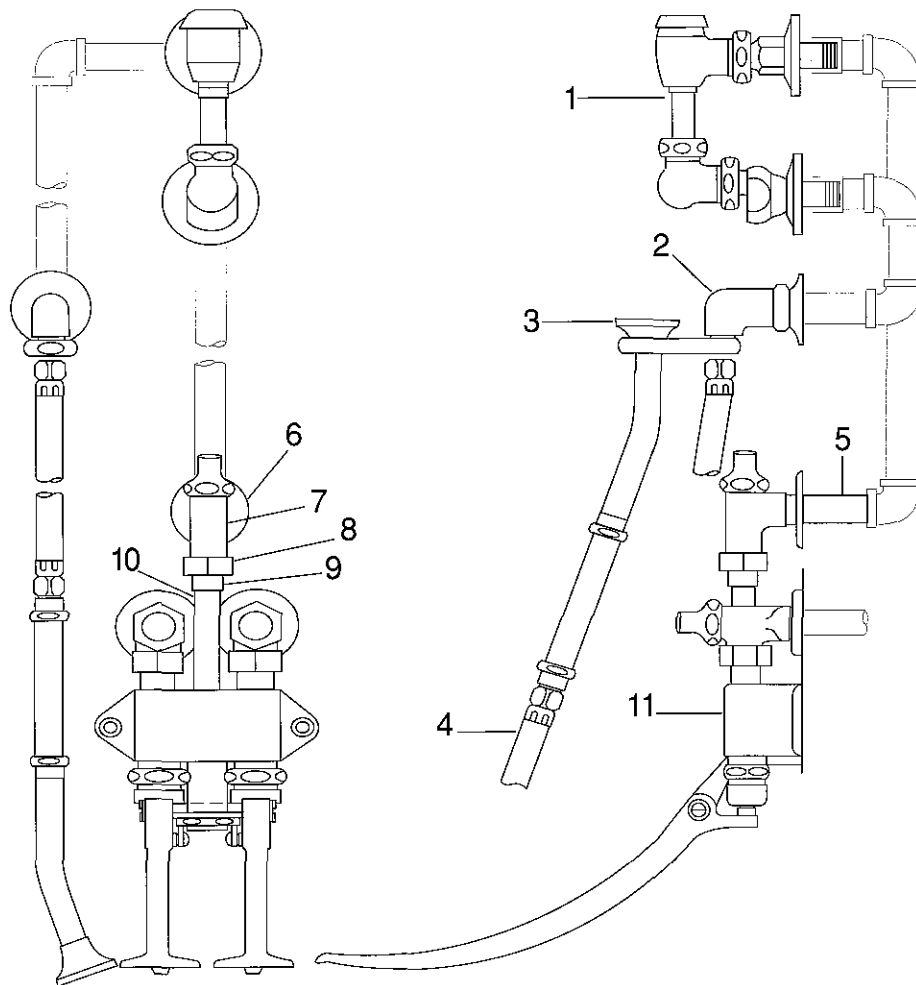
COMMERCIAL/INSTITUTIONAL Wall-Mounted Self-Closing Single/Double Pedal Bedpan Washer



599-0205



599-0215



DESCRIPTION	PART#
1 Vacuum breaker assy.	480-892-G
2 Flanged elbow assy. Elbow Adapter Fork Set screw	480-777-33K 480-777-33 480-777-31 480-777-28 480-777-13
3 Spray assembly	480-777-19K
4 4' Hose assembly	480-739-548K

DESCRIPTION	PART#
5 Nipple	480-528-20
6 Flange	480-417-9
7 Check stop Adapter	480-442-LK-VC 480-910-1
8 Nut	480-1-210
9 Tailpiece	480-632-3

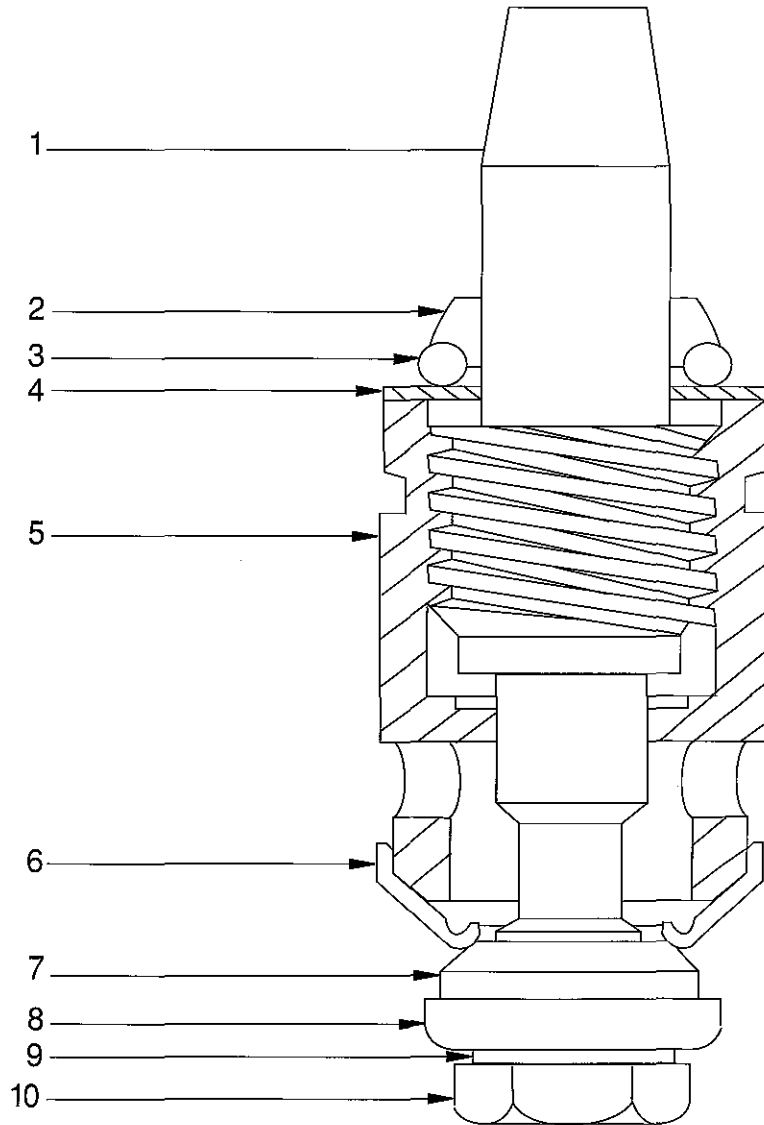
DESCRIPTION	PART#
10 Nipple	480-906-2
11 Dual pedal assembly Single pedal assembly	480-834-EP 480-806-EP

ELJER

COMMERCIAL/INSTITUTIONAL Valve Unit For Pedal and Knee Action Mixing Valves

ILLUSTRATION
NOT AVAILABLE

480-217-X-LH



	DESCRIPTION	PART#
1	L.H. stem	480-1-114K,BNF
2	Packing	480-1-119NF
3	"O" ring	480-1-120NF
4	Washer	480-93-31RBF

	DESCRIPTION	PART#
5	L.H. sleeve	480-317-2RBF
6	Monel seat	480-1-27NF
7	Seat washer	480-1-21NF
8	Monel retainer	480-1-22NF

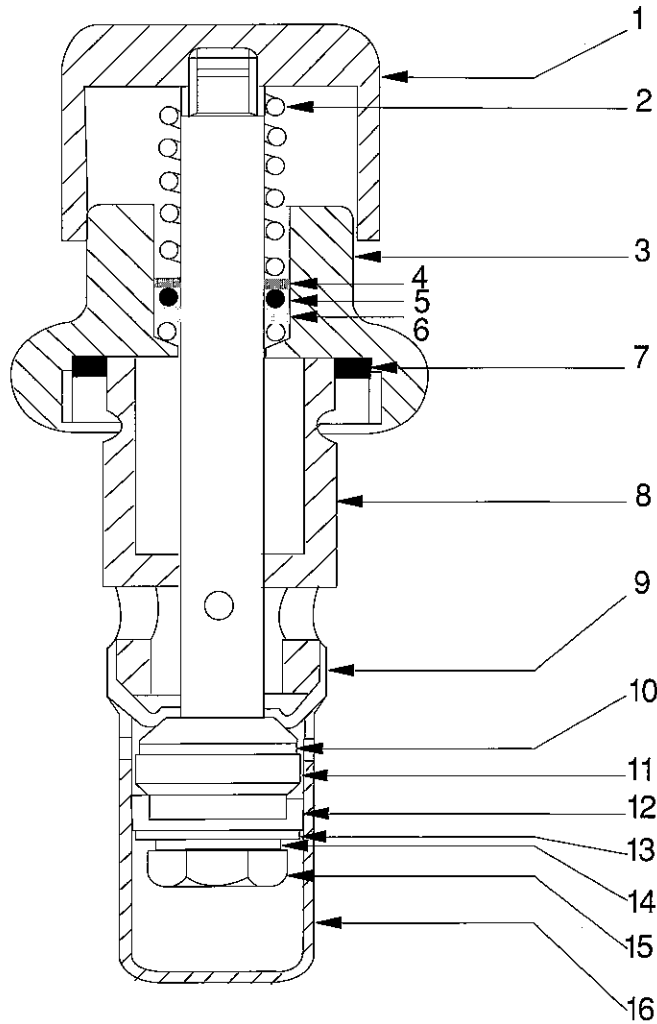
	DESCRIPTION	PART#
9	Monel washer	480-1-31NF
10	Monel nut	480-333-97NF

ELJER

COMMERCIAL/INSTITUTIONAL Valve Unit For Pedal Mixing Valves

ILLUSTRATION
NOT AVAILABLE

480-625-X



DESCRIPTION	PART#
1 C.P. button & stem	480-625-12K
2 Spring	480-395-18NF
3 Cap	480-319-3CP
4 Washer	480-319-12RBF
5 "O" ring (2 req'd)	480-319-40NF
6 Leather washer	480-319-35NF

DESCRIPTION	PART#
7 Gasket	480-1-43NF
8 Sleeve	480-433-42RBF
9 Monel seat	480-1-27NF
10 Seat washer	480-244-6NF
11 Retainer	480-333-26RBF
12 Cup	480-333-40NF

DESCRIPTION	PART#
13 Washer	480-333-39NF
14 Washer (Monel)	480-1-31NF
15 Nut	480-333-97NF
16 Dashpot	480-333-75

AN **ELJER**
INDUSTRIES COMPANY

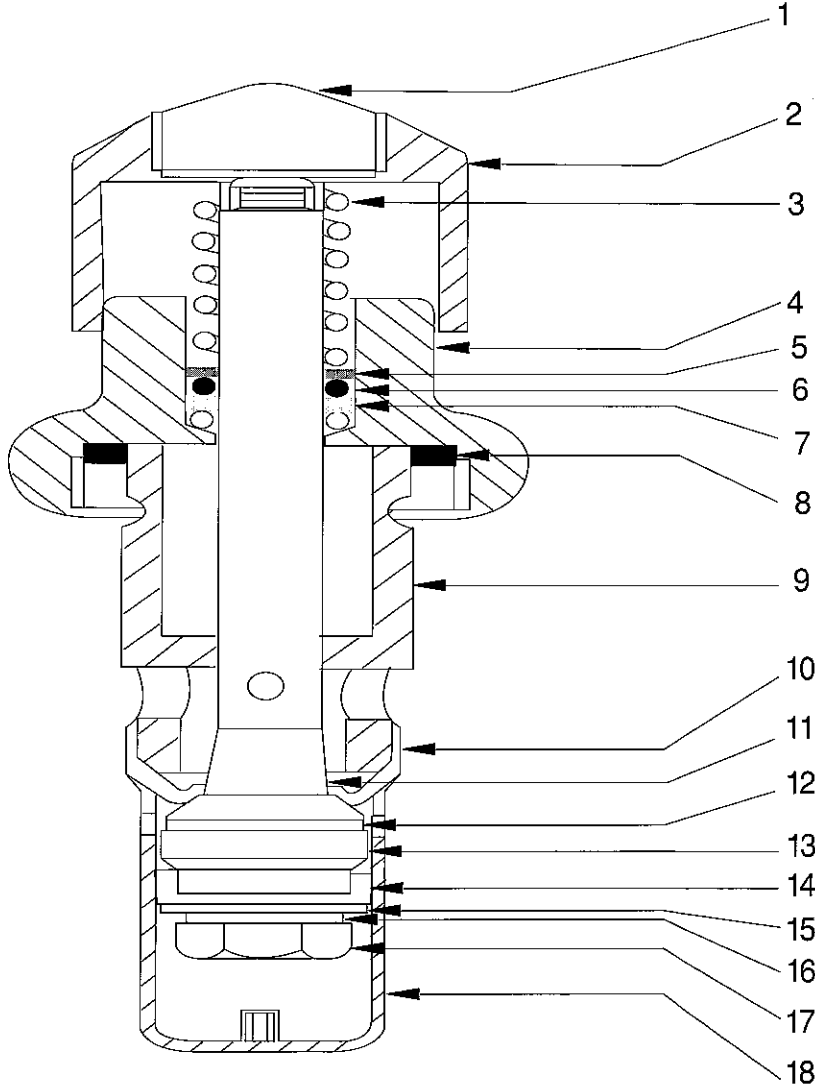
ELJER



COMMERCIAL/INSTITUTIONAL Valve Unit For Knee Action Mixing Valves

ILLUSTRATION
NOT AVAILABLE

480-745-X



DESCRIPTION	PART#
1 Button tip, button & stem	480-745-10K,NF
2 Button & stem assy.	480-745-15K,CP
3 Spring	480-395-18NF
4 Cap	480-319-3CP
5 Washer	480-319-12RBF
6 "O" ring (2 req'd)	480-319-40NF

DESCRIPTION	PART#
7 Leather washer	480-319-35NF
8 Gasket	480-1-43NF
9 Sleeve	480-433-42RBF
10 Metering cone	480-745-16RBF
11 Monel seat	480-1-27NF
12 Seat washer	480-244-6NF

DESCRIPTION	PART#
13 Retainer	480-333-26RBF
14 Cup	480-333-40NF
15 Washer	480-333-39NF
16 Washer (Monel)	480-1-31NF
17 Nut	480-333-97NF
18 Dashpot	480-333-73

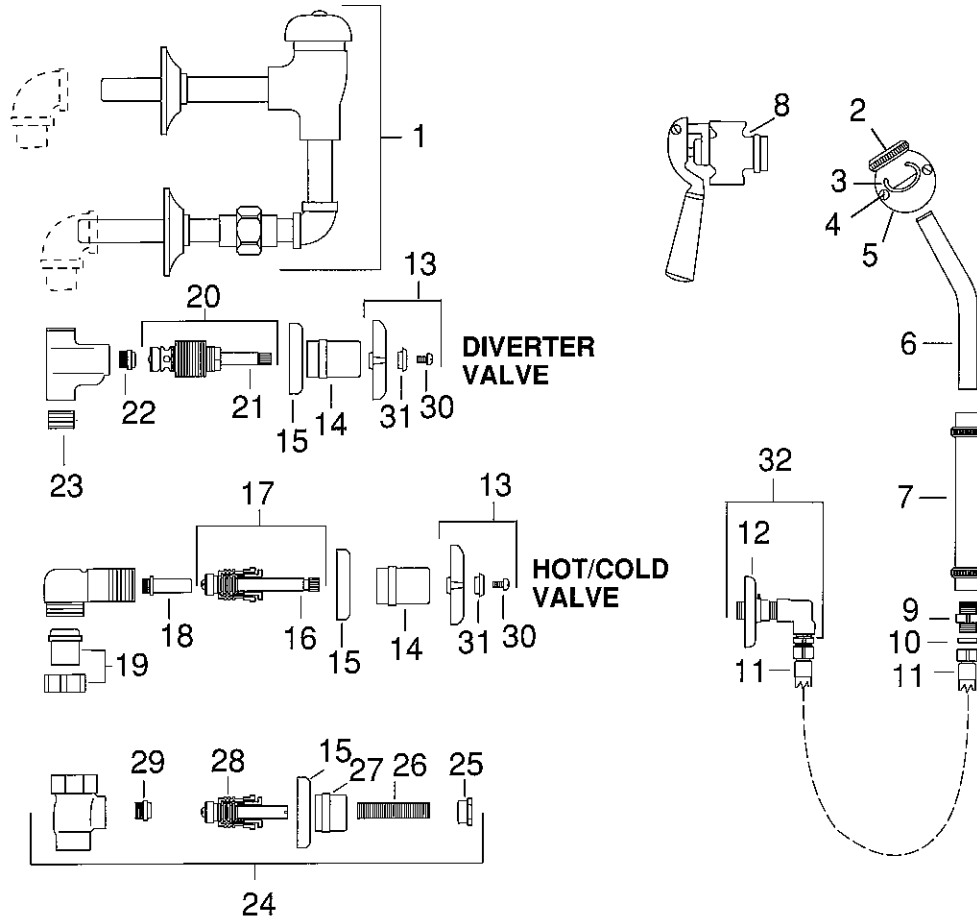
AN **ELJER**
INDUSTRIES COMPANY

ELJER

COMMERCIAL/INSTITUTIONAL Built-In Two-Valve Bedpan Washer



599-0220 599-0230



DESCRIPTION	PART#
1 Vacuum breaker assembly	VABX5712
2 Sprayhead assembly	SAYX6456
3 Fork	FOR5879C
4 Screw (2 req'd)	SCR3316Z
5 Wall flange C.P.	FLG2794C
6 Bent nipple	NIP3666C
7 Insulated handle assembly	HDLX8245
8 Stop assy. w/telegraph handle	STP3619Z
9 Adapter	ADP3665C
10 Gasket	GAS2850Z
11 Hose unit	HOSX2853
12 Flange	FLG3625Z

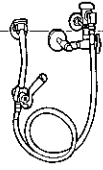
DESCRIPTION	PART#
13 4-arm handle assembly Red (H) Blue (C)	HDLX8589H HDLX8589C
14 Sleeve C.P.	SLE8148C
15 Flange C.P.	FLG8106C
16 Stem assembly R.H.	STMX2788RC
17 Stem unit R.H.	RSUX8150R
18 Seat	SET4703S
19 Universal parts bag	BAGX9095
20 Diverter stem unit R.H.	RSUX8279R
21 Diverter stem assembly R.H.	STMX8278R
22 Valve seat	SET5257S
23 Pipe plug	PLG2485Z

DESCRIPTION	PART#
24 Screwdriver stop w/check valve	801-0755
25 Bushing C.P.	BUS2790C
26 Sleeve	SLE2729S271
27 Sleeve	SLE8319C
28 Stem unit R.H.	RSUX6753R
29 Seat	SET2734S
30 Chrome plated handle screw Red (H) Blue (C)	SCR1978Z WAS8583ZH WAS8583ZC
32 Coupling assembly	CPLX9185

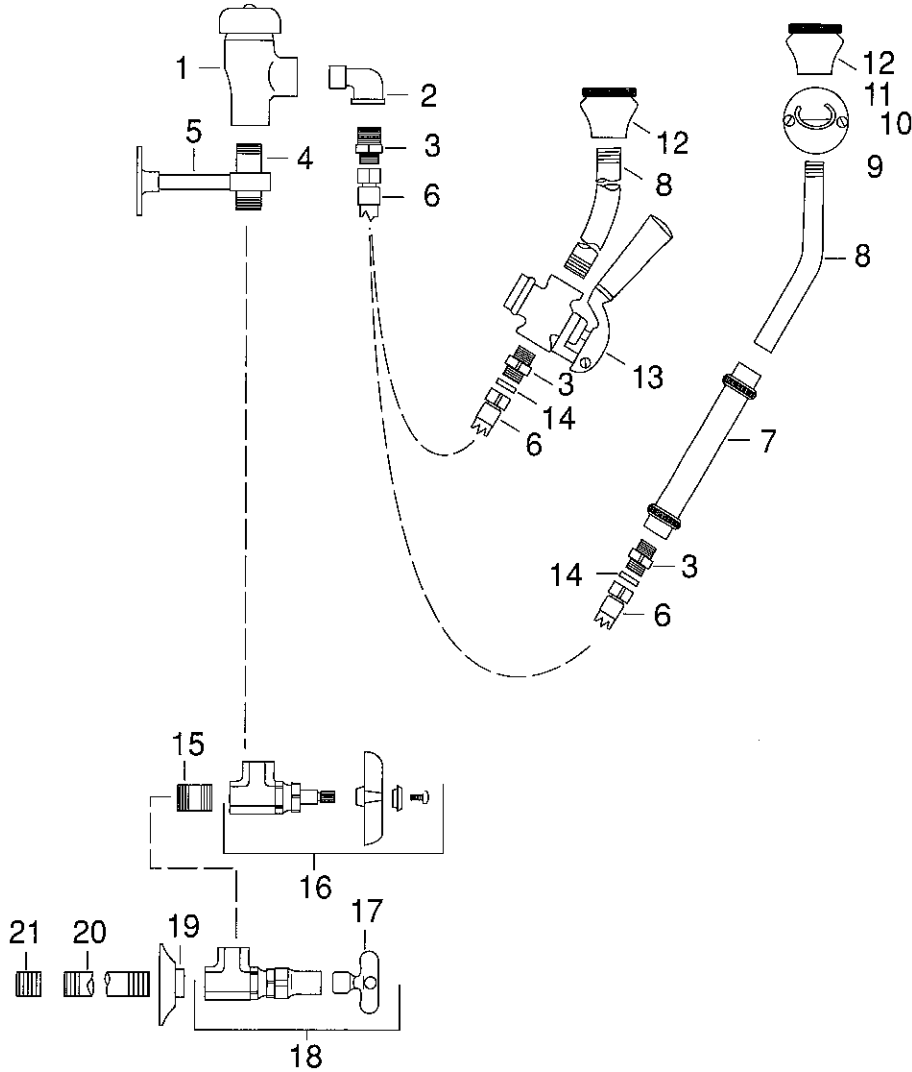
AN ELJER
INDUSTRIES COMPANY

ELJER

COMMERCIAL/INSTITUTIONAL Exposed Single-Valve Bedpan Washer



599-0260 599-0270



DESCRIPTION	PART#
1 3/8" IPS vacuum brkr. (Watts)	VAB5748Z
2 3/8" IPS street elbow C.P.	ELB3624C
3 Adapter	ADP3665C
4 3/8" IPS x 1 7/8" nipple C.P.	NIP1169C178
5 Pipe strap assy.	SRA5937Z
6 Hose assembly	HOSX2853
7 Insulated handle assy.	HDLX8245
8 Bent nipple C.P.	NIP3666C

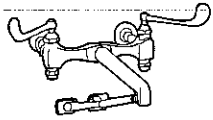
DESCRIPTION	PART#
9 Wall flange C.P.	FLG2794C
10 Screw	SCR3316Z
11 Fork C.P.	FOR5879C
12 Spray head assy.	SAYX6456
13 Stop assy. w/telegraph handle	STP3619Z
14 Gasket	GAS2850Z
15 3/8" IPS nipple C.P. 1" long	NIP1169D010
16 3/8" Exposed angle stop	STP8475Z

DESCRIPTION	PART#
17 Loose key	KEY7400Z
18 3/8" expsd. angle stop, loose key	STP8459Z
19 Wall flange C.P., w/set screw	FLG3625Z
20 3/8" IPS nipple 4" long C.P.	NIP1169C040
21 1/2" IPS x 3/8" IPS face bushing	BUS2399Z

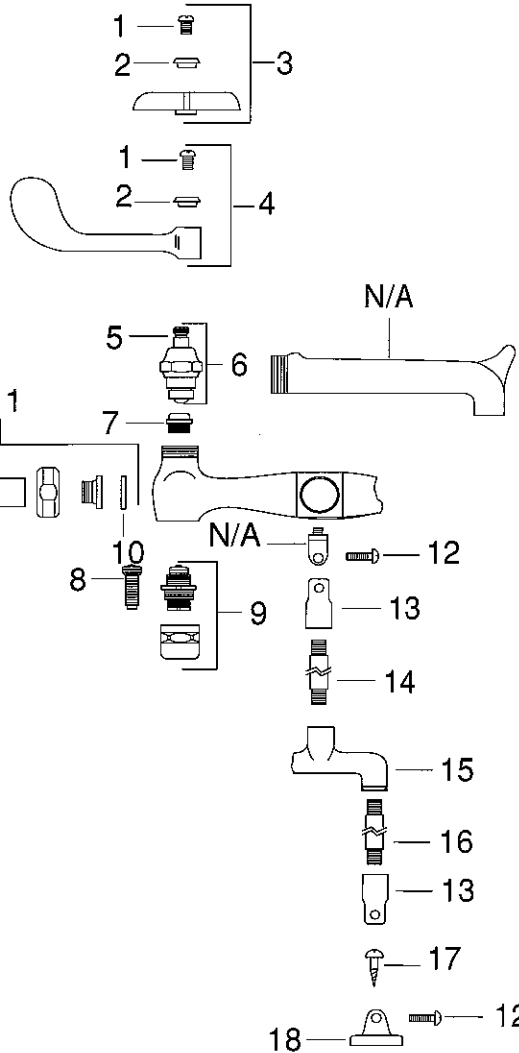
ELJER



COMMERCIAL/INSTITUTIONAL Wall-Mounted Service Sink Faucet



749-1020 749-1120
749-1040 749-1140



DESCRIPTION	PART#
1 Handle screw C.P.	SCR1978Z
2 Color coded washer Red (H) Blue (C)	WAS8583ZH WAS8583ZC
3 4-arm handle Red (H) Blue (C)	HDLX8589H HDLX8589C
4 6" Wrist action handle Red (H) Blue (C)	HDLX8587H HDLX8587C
5 Stem assy. L.H. (1 req'd cold valve w/wrist action handle) Stem assy. R.H. (1 req'd hot valve w/wrist action handle, 2 req'd for H & C valves with 4-arm handles.)	STMX8783LC STMX8783RC

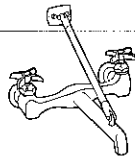
DESCRIPTION	PART#
6 Stem unit L.H. (1 req'd cold valve w/wrist action handle.) Stem unit R.H. (1 req'd hot valve w/wrist action handle, 2 req'd H & C valves with 4-arm handles.)	RSUX2808LC RSUX2808RC
7 Valve seat	SET2734S
8 Stem assembly	STMX6698
9 Integral stop stem unit	STPX6970
10 Washer	WAS3518Z
11 1/2" IPS female extension shank assembly	SHKX4160

DESCRIPTION	PART#
12 Screws (3 req'd)	SCR3833Z
13 Yoke (3 req'd)	YOK3832C
14 Nipple (6") Nipple (8-9/16")	NIP3834C060 NIP3834C891
15 Fork brace	FOR3910C
16 Nipple (3 1/8")	NIP3842C
17 Wood screw (4 req'd)	SCR3316Z
18 Wall bracket (2 req'd)	BKT3830C

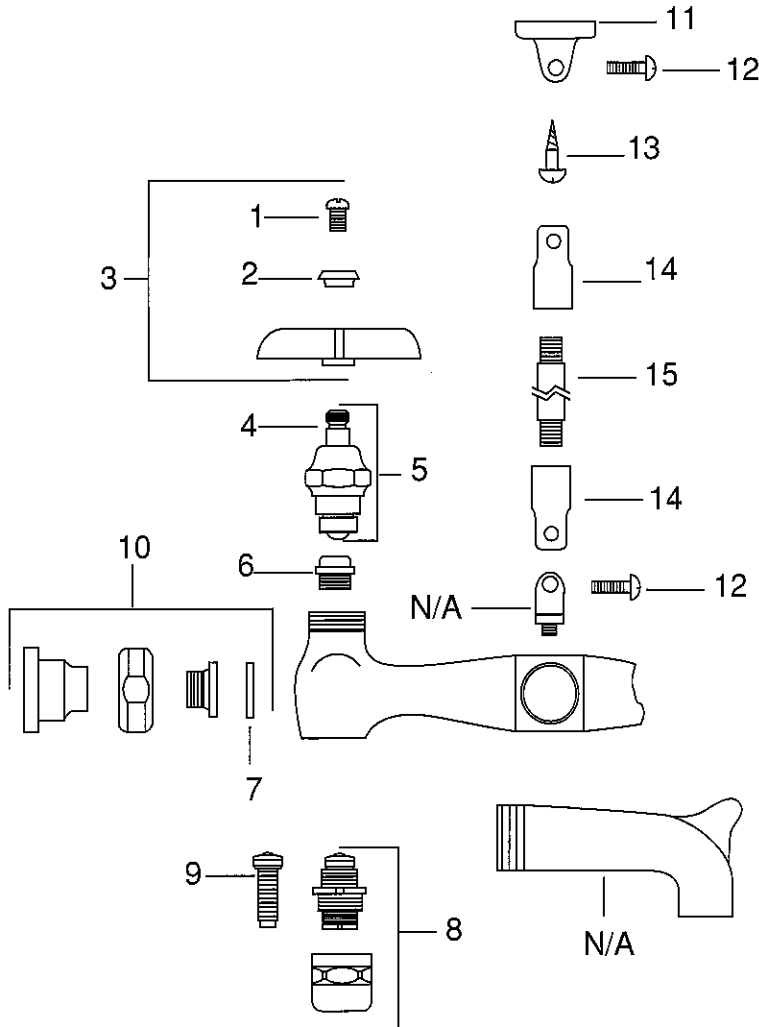
AN **ELJER**
INDUSTRIES COMPANY

ELJER

COMMERCIAL/INSTITUTIONAL Wall-Mounted Service Sink Faucet



749-0640 749-0840



DESCRIPTION	PART#
1 Handle screw C.P.	SCR1978Z
2 Color coded washer Red (H) Blue (C)	WAS8583ZH WAS8583ZC
3 4-arm handle Red (H) Blue (C)	HDLX8589H HDLX8589C
4 Stem assembly R.H. (2 req'd. - for H & C valves with 4-arm handles.)	STMX8783RC
5 Stem unit R.H. (2 req'd. - for H & C valves with 4-arm handles.)	RSUX2808RC

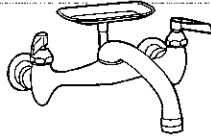
DESCRIPTION	PART#
6 Valve seat	SET2734S
7 Washer	WAS3518Z
8 Integral stop stem unit	STPX6970
9 Stem assembly	STMX6698
10 Female shank assembly	SHKX6302
11 Wall bracket	BKT3830C
12 Screw	SCR3833Z
13 Wood screw	SCR3316Z

DESCRIPTION	PART#
14 Yoke	YOK3832C
15 Nipple (6") (8 9/16") (10 1/2")	NIP3834C060 NIP3834C891 NIP3834C101

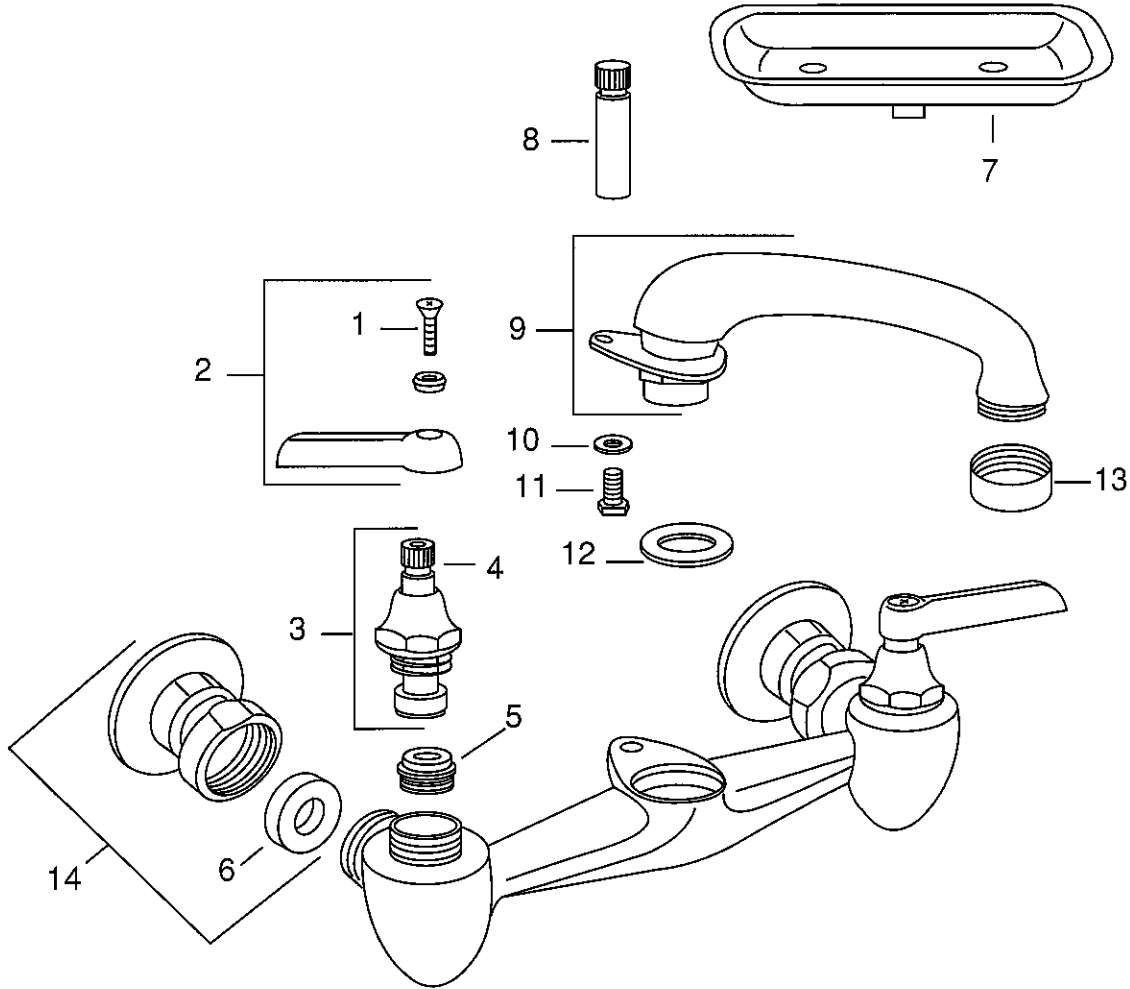
AN ELJER
INDUSTRIES COMPANY

ELJER

COMMERCIAL/INSTITUTIONAL Wall-Mounted Service Sink Faucet



719-0115 719-0116



	DESCRIPTION	PART#
1	Handle screw C.P.	SCR1978Z
2	Zinc lever handle . Red (H) assembly Blue(C)	HDLX8588H HDLX8588C
3	Stem unit L.H. Cold valve Stem unit R.H. Hot valve	RSUX4095L RSUX4095R
4	Stem assy. L.H. Cold valve Stem assy. R.H. Hot valve	STMX6318LC STMX6318RC
5	Valve seat	SET5257S

	DESCRIPTION	PART#
6	Washer	WAS3518Z
7	Soap dish	SDI3241C
8	Soap dish post	POS3235C
9	8" Spout, nut & retainer plate	SPTX4586
10	Lockwasher	WAS5801Z
11	Screw	SCR3833Z
12	"O" ring	ORI3453Z

	DESCRIPTION	PART#
13	Aerator	V7068
14	Female shank assembly	SHKX6302

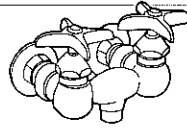
AN **ELJER**
INDUSTRIES COMPANY

ELJER

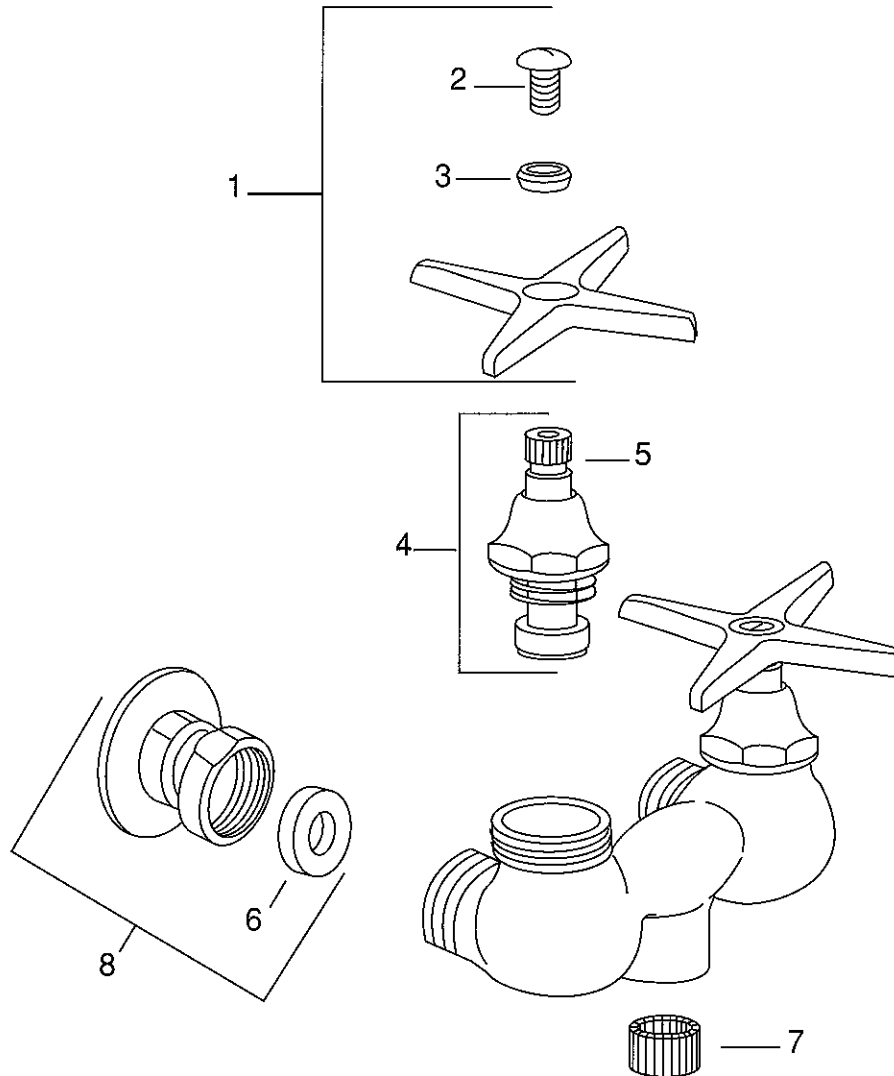


COMMERCIAL/INSTITUTIONAL

Blaine Lavatory Service Sink Faucet



739-0400



DESCRIPTION	PART#
1 4-arm handle Red (H) Blue(C)	HDLX8589H HDLX8589C
2 Handle screw C.P.	SCR1978Z
3 Color coded washer Red (H) Blue(C)	WAS8583ZH WAS8583ZC

DESCRIPTION	PART#
4 Stem unit R.H.	RSUX4097R
5 Stem assembly R.H.	STMX6317RC
6 Washer	WAS3518Z
7 Stream former	STG2861Z

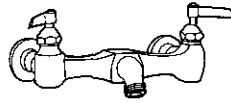
DESCRIPTION	PART#
8 Female shank assembly	SHKX6302

AN **ELJER**

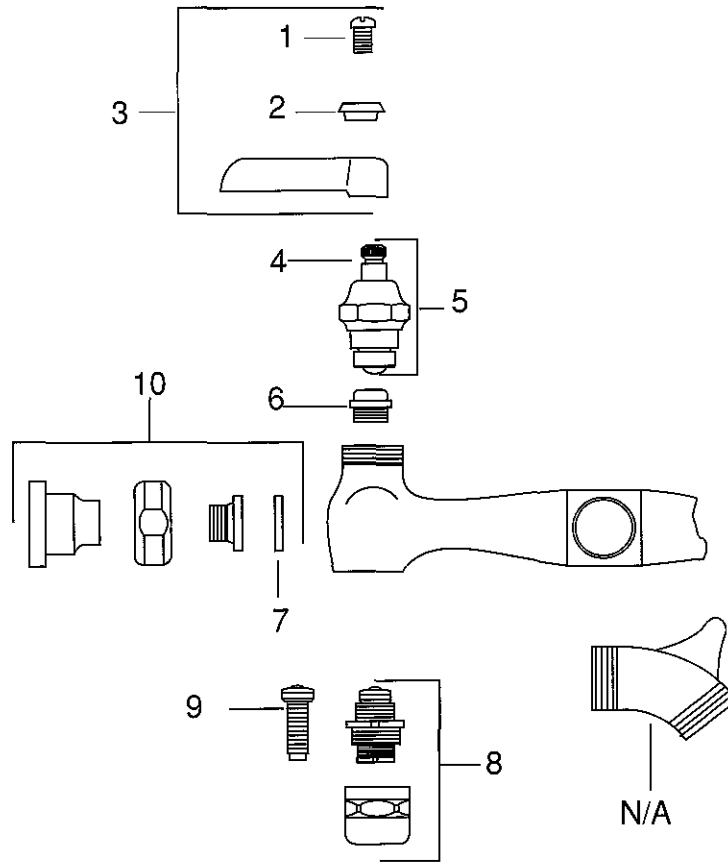
INDUSTRIES COMPANY

ELJER

COMMERCIAL/INSTITUTIONAL Wall-Mounted Service Sink Faucet



749-0500 749-0530



	DESCRIPTION	PART#
1	Handle screw-C.P.	SCR1978Z
2	Color coded washer Red (H) Blue (C)	WAS8583ZH WAS8583ZC
3	Zinc lever handle assy. Red (H) Blue (C)	HDLX8588H HDLX8588C

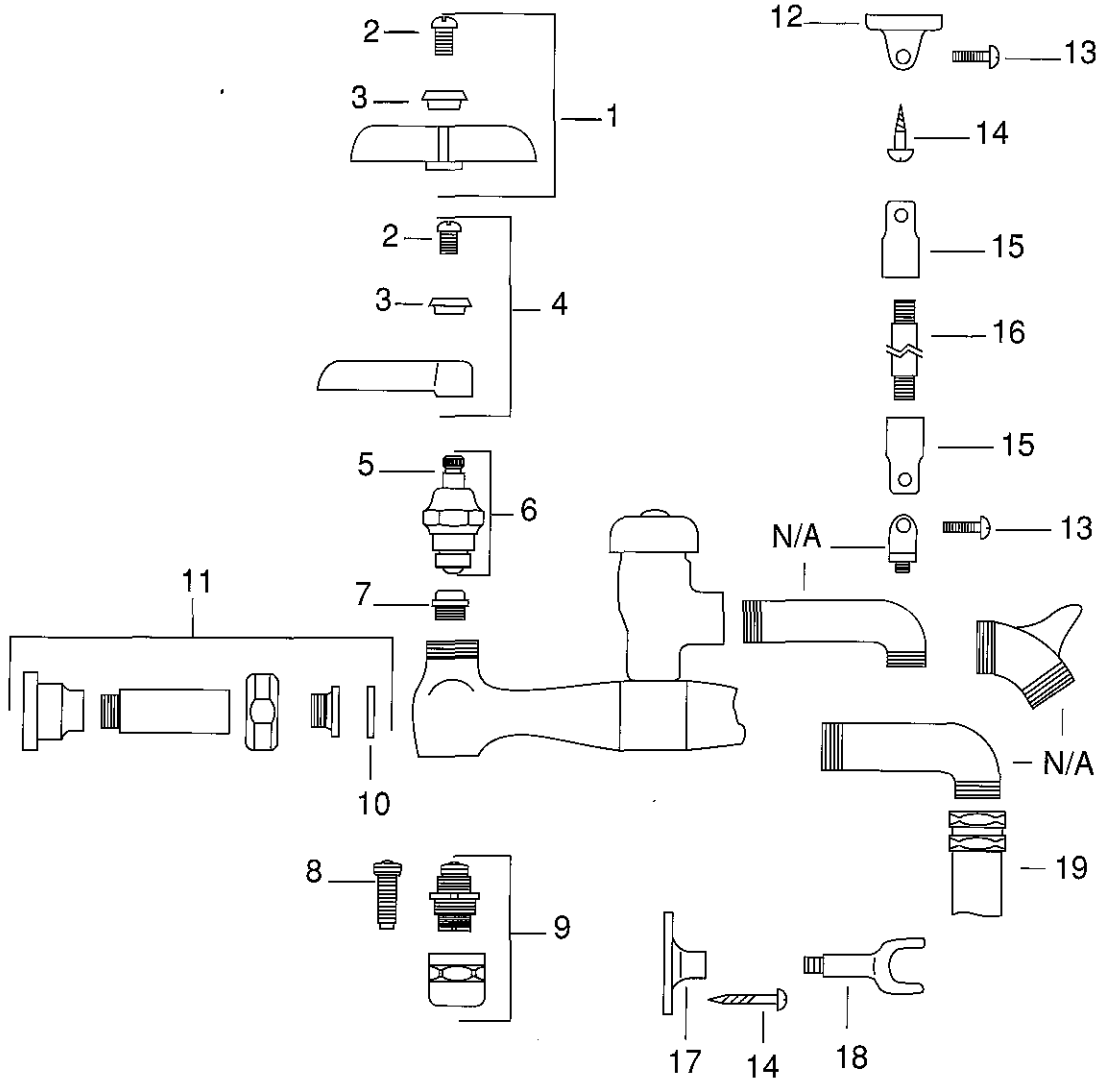
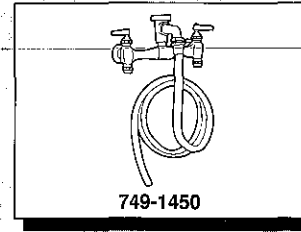
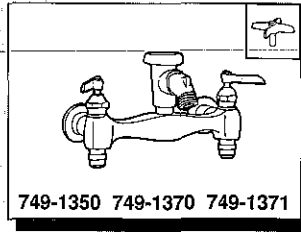
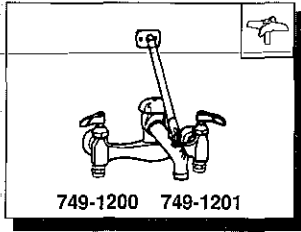
	DESCRIPTION	PART#
4	Stem assy. L.H. (1 req'd cold valve w/lever handle) Stem assy. R.H. (1 req'd hot valve w/lever handle)	STMX8783LC STMX8783RC
5	Stem unit L.H. (1 req'd cold valve w/lever handle.) Stem unit R.H. (1 req'd hot valve w/lever handle.)	RSUX2808LC RSUX2808RC

	DESCRIPTION	PART#
6	Valve seat	SET2734S
7	Washer	WAS3518Z
8	Integral stop stem unit	STPX6970
9	Stem assembly	STMX6698
10	Female shank assembly	SHKX6302

AN **ELJER**
INDUSTRIES COMPANY

ELJER

COMMERCIAL/INSTITUTIONAL Wall-Mounted Service Sink Faucet



DESCRIPTION	PART#
1 4-arm handle Red (H) HDLX8589H Blue (C) HDLX8589C	
2 Handle screw C.P.	SCR1978Z
3 Color coded washer Red (H) WAS8583ZH Blue (C) WAS8583ZC	
4 Zinc lever handle Red (H) HDLX8588H Blue (C) HDLX8588C	
5 Stem assy. L.H. (1 req'd. cold with lever handle) STMX8783LC Stem assembly R.H. (2 req'd. H & C w/ 4-arm handle, 1 req'd. Hot with lever handle) STMX8783RC	

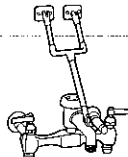
DESCRIPTION	PART#
6 Stem unit L.H. (1 req'd. cold with lever handle) RSUX2808LC Stem unit R.H. (2 req'd. H & C w/ 4-arm handle, 1 req'd. Hot with lever handle) RSUX2808RC	
7 Valve seat	SET2734S
8 Stem assembly	STMX6698
9 Integral stop stem unit	STPX6970
10 Washer	WAS3518Z
11 Female extension shank assy.	SHKX6302

DESCRIPTION	PART#
12 Wall bracket (2 req'd)	BKT3830C
13 Screws (3 req'd)	SCR3833Z
14 Wood screw (4 req'd)	SCR3316Z
15 Yoke (3 req'd)	YOK3832C
16 Nipple (8 9/16")	NIP3834C891
17 Flange	FLG2794C
18 Fork	FOR5879C
19 5' rubber hose	HOSX9096C

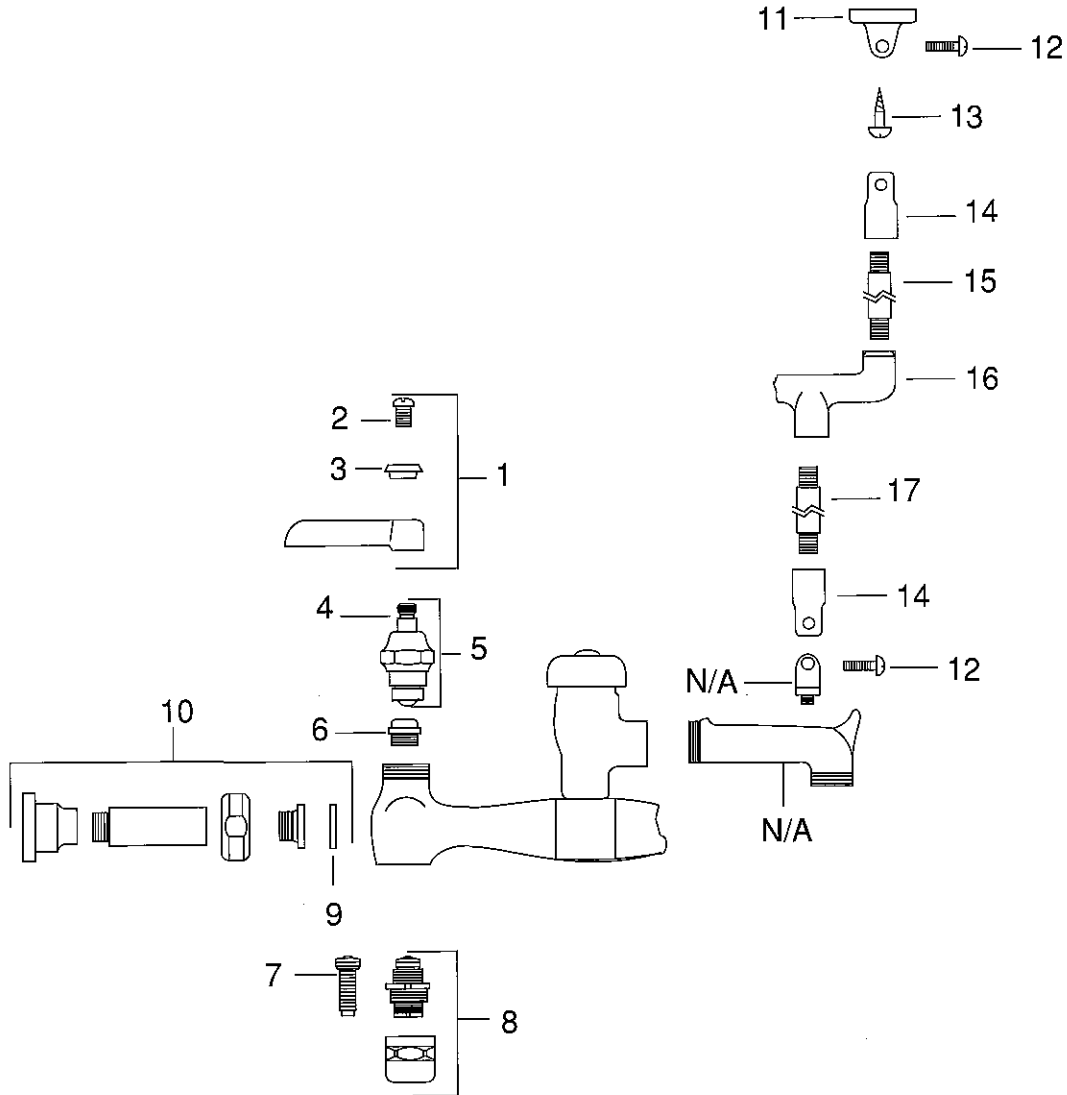
AN ELJER
INDUSTRIES COMPANY

ELJER

COMMERCIAL/INSTITUTIONAL Wall-Mounted Service Sink Faucet



749-1400



DESCRIPTION	PART#
1 Zinc lever handle Red (H) Blue(C)	HDLX8588H HDLX8588H
2 Handle screw C.P.	SCR1978Z
3 Color coded washer Red (H) Blue(C)	WAS8583ZH WAS8583ZC
4 Stem assembly L.H. Stem assembly R.H.	STMX8783LC STMX8783RC
5 Stem unit L.H. Stem unit R.H.	RSUX2808LC RSUX2808RC
6 Valve seat	SET2734S

DESCRIPTION	PART#
7 Stem assembly	STMX6698
8 Integral stop stem unit	STPX6970
9 Washer	WAS3518Z
10 Female extension shank assy.	SHKX4160
11 Wall bracket (2 req'd)	BKT3830C
12 Screws (3 req'd)	SCR3833Z
13 Wood screw (4 req'd)	SCR3316Z
14 Yoke (3 req'd)	YOK3832C

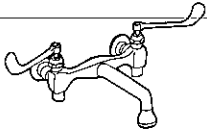
DESCRIPTION	PART#
15 Spout brace nipple (3 1/8")	NIP3842C
16 Fork brace	FOR3910C
17 Nipple (6")	NIP3834C060

AN ELJER
INDUSTRIES COMPANY

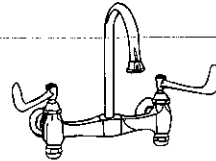
ELJER



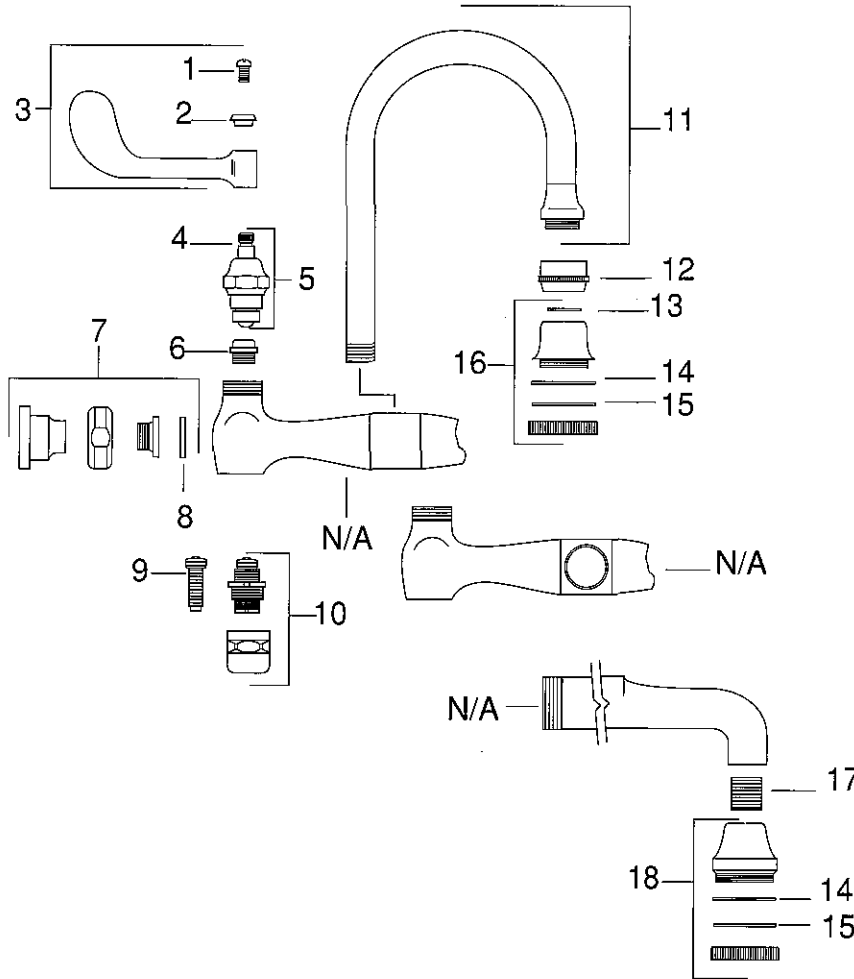
COMMERCIAL/INSTITUTIONAL Wall-Mounted Surgeon's Sink Faucet



749-1230



749-1260 749-1280



DESCRIPTION	PART#
1 Handle screw C.P.	SCR1978Z
2 Color coded washer Red (H) Blue(C)	WAS8583ZH WAS8583ZC
3 6" wrist action handle Red (H) Blue(C)	HDLX8587H HDLX8587C
4 Stem assy. L.H. (1 req'd cold valve w/wrist action handle) Stem assy. R.H. (1 req'd hot valve w/wrist action handle)	STMX8783LC STMX8783RC
5 Stem unit L.H. (1 req'd cold valve w/wrist action handle.) Stem unit R.H. (1 req'd hot valve w/wrist action handle)	RSUX2808LC RSUX2808RC

DESCRIPTION	PART#
6 Valve seat	SET2734S
7 Female shank assembly	SHKX6302
8 Washer	WAS3518Z
9 Stem assembly	STMX6698
10 Integral stop stem unit	STPX6970
11 Gooseneck spout assembly	SPTX6663
12 Aerator	V7068
13 Gasket	GAS3859Z
14 Spray face	FAC6445Z
15 Gasket	GAS5303Z

DESCRIPTION	PART#
16 1 1/2" dia. sprayhead assy.	SAYX6454
17 Nipple (3/4")	NIP2262N
18 1 1/2" sprayhead assembly	SAYX6456

AN ELJER
INDUSTRIES COMPANY

ELJER

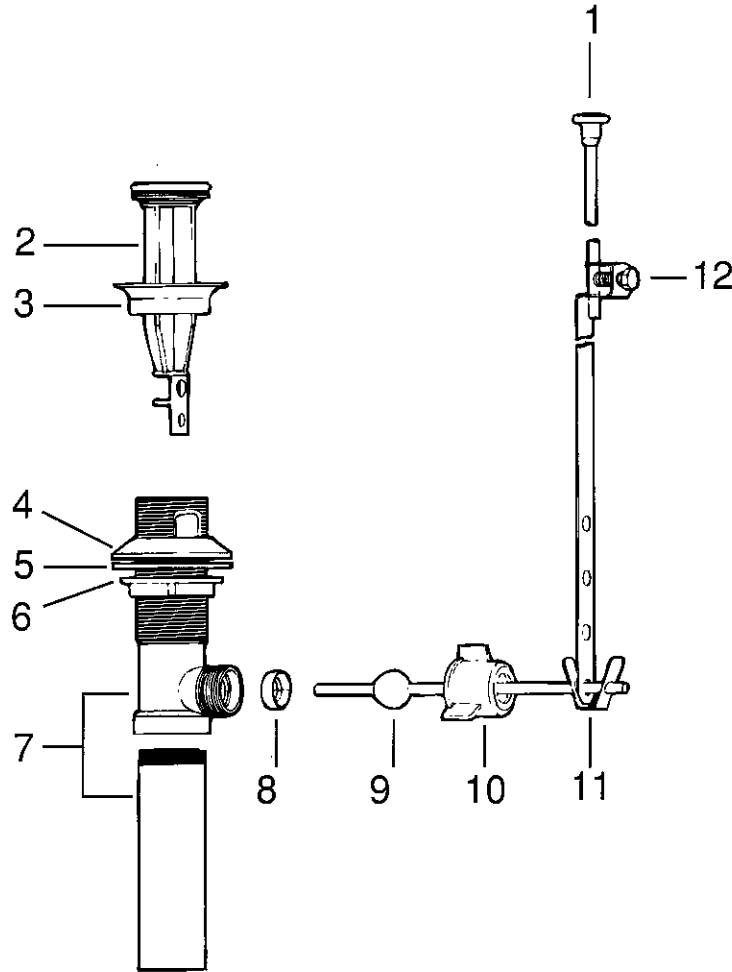


COMMERCIAL/INSTITUTIONAL

Metal Pop-up Waste



V7300ELJ



	DESCRIPTION	PART#	FINISH
1	Brass lift rod assembly	V6805	Chrome
2	Pop-up plug assembly	V3416ELJ	Chrome
3	Flange	V3412	Chrome
4	Gasket	V3411	
5	Washer	V3410	
6	Locknut	V3409	
7	Drain tee assy.	V6213	

	DESCRIPTION	PART#	FINISH
8	Ball seat	V3329	
9	Horizontal rod & ball assembly	V3406	
10	Compression nut	V3332	
11	Horizontal rod clip	V3403	
12	Clevis and screw assembly	V3340	

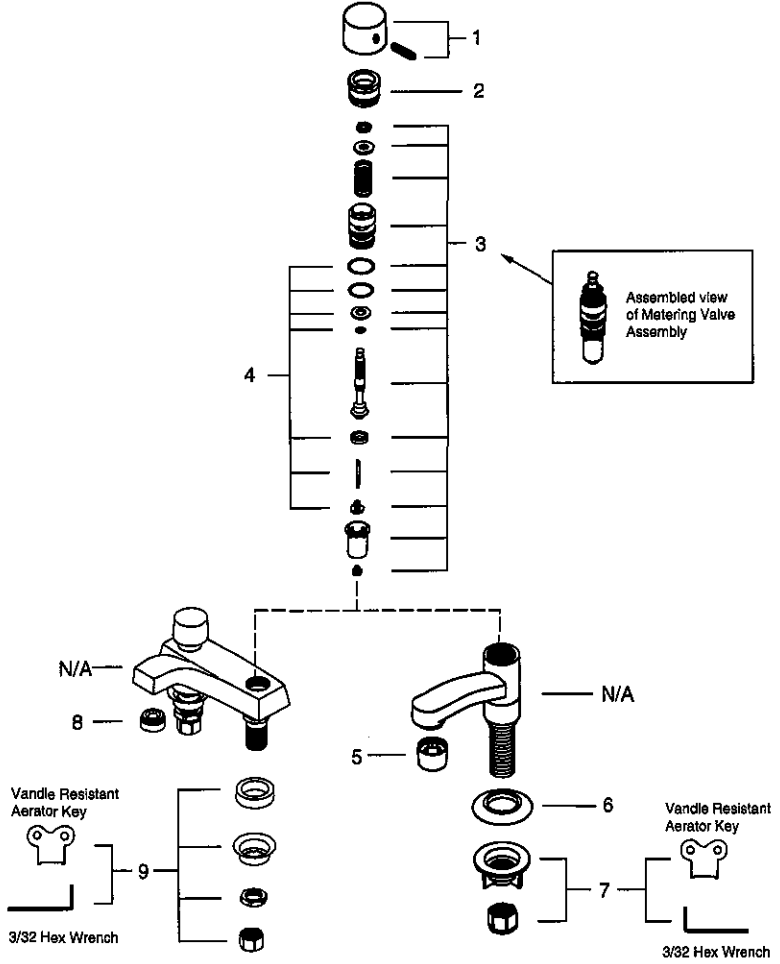
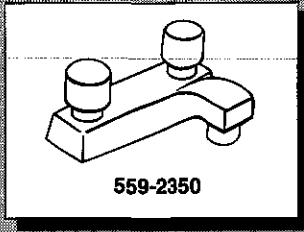
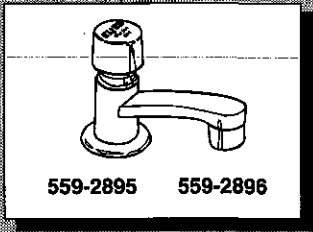
AN **ELJER**
INDUSTRIES COMPANY

Eljer



COMMERCIAL/INSTITUTIONAL

Push-Button, Self-Closing
Metering Lavatory Faucet



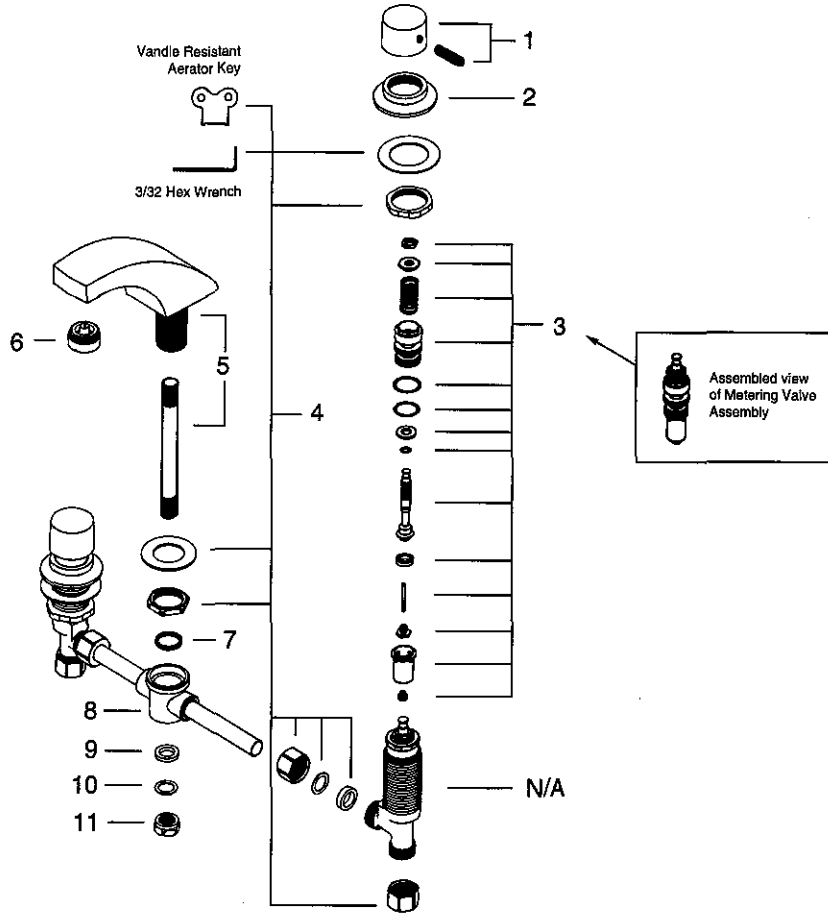
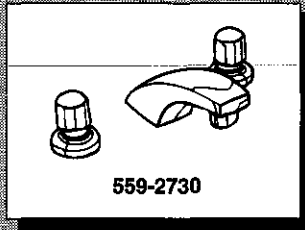
	DESCRIPTION	PART#	FINISH
1	Handle assy.-Hot Handle assy.-Cold	HDLX8958H HDLX8958C	Chrome Chrome
2	Bonnet nut	BON8915C	Chrome
3	Valve assembly	RSUX8921BG	
4	Valve repair kit	V6951	
5	Aerator	AER8754	Chrome
6	Flange	FLG8542C	Chrome
7	Parts bag	V6952	
8	Aerator	AER8755Z	Chrome
9	Parts bag - 2 sets of mounting hardware	BAGX8956	

Eljer



COMMERCIAL/INSTITUTIONAL

Push-Button, Self-Closing Metering Lavatory Faucet



	DESCRIPTION	PART#	FINISH
1	Handle assy.-Hot Handle assy.-Cold	HDLX8958H HDLX8958C	Chrome Chrome
2	Flange	BAGX8957	Chrome
3	Valve assembly	RSUX8921BG	
4	Parts bag - 2 sets of mounting hardware	BAGX9094	
5	Spout assembly	SPTX6712	
6	Aerator	AER8755Z	Chrome
7	O-Ring	ORI5574Z	
8	Tee assembly	TEEX5415	
9	Gasket	GAS5417Z	
10	Gasket	GAS5418Z	
11	Locknut	NUT5419S	

ELJER

COMMERCIAL/INSTITUTIONAL Handle Assemblies



4-ARM HANDLE



ZINC LEVER HANDLE



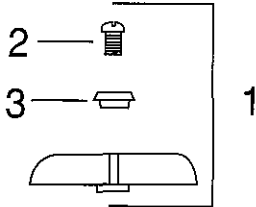
BRASS LEVER HANDLE



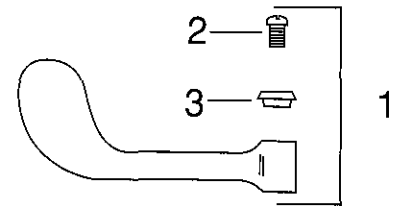
4" WRIST ACTION
HANDLE



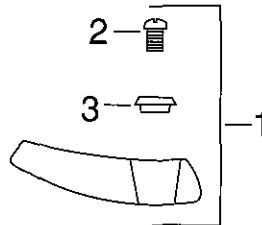
6" WRIST ACTION
HANDLE



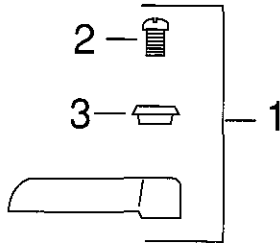
	DESCRIPTION		PART#
1	4-arm handle assembly	Red (H) Blue (C)	HDLX8589H HDLX8589C
2	Handle screw Vandal resistant screw		SCR1978Z SCR9174Z
3	Color coded washer-	Red (H) Blue(C)	WAS8583ZH WAS8583ZC



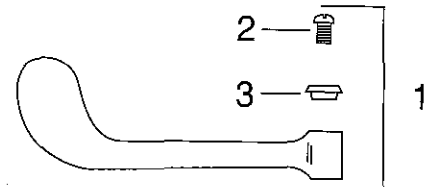
	DESCRIPTION		PART#
1	4" wrist action handle assembly	Red (H) Blue (C)	HDLX8586H HDLX8586C
2	Handle screw Vandal resistant screw		SCR1978Z SCR9174Z
3	Color coded washer-	Red (H) Blue(C)	WAS8583ZH WAS8583ZC



	DESCRIPTION		PART#
1	Brass lever handle assembly	Red (H) Blue (C)	HDLX8384H HDLX8384C
2	Handle screw Vandal resistant screw		SCR1978Z SCR9174Z
3	Color coded washer-	Red (H) Blue(C)	WAS8583ZH WAS8583ZC



	DESCRIPTION		PART#
1	Zinc lever handle assembly	Red (H) Blue (C)	HDLX8588H HDLX8588C
2	Handle screw Vandal resistant screw		SCR1978Z SCR9174Z
3	Color coded washer -	Red (H) Blue(C)	WAS8583ZH WAS8583ZC



	DESCRIPTION		PART#
1	6" wrist action handle assembly	Red (H) Blue (C)	HDLX8587H HDLX8587C
2	Handle screw Vandal resistant screw		SCR1978Z SCR9174Z
3	Color coded washer-	Red (H) Blue(C)	WAS8583ZH WAS8583ZC

AN **ELJER**
INDUSTRIES COMPANY