



Kithcen Side Spray W/Hose

Features:

- Metal construction
- Chrome, stainless steel or oil rubbed bronze finish available
- Max deck thickness 2 1/16"
- Hose length 47 1/8"
- 2.5 GPM (9.3 LPM) maximum @ 80 psi

Standards & Certifications:

None

Catalog Numbers:

- 93-123** Chrome
- 93-123-SS** Stainless steel
- 93-123-RB** Oil rubbed bronze

Prefixes Available:

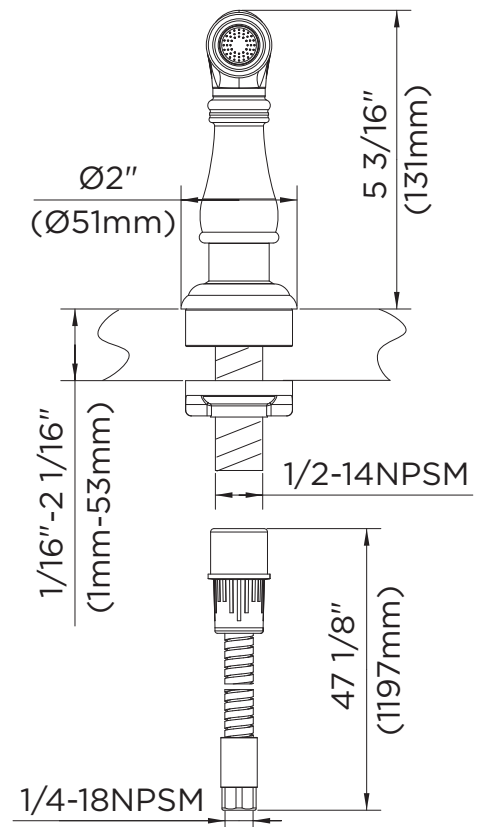
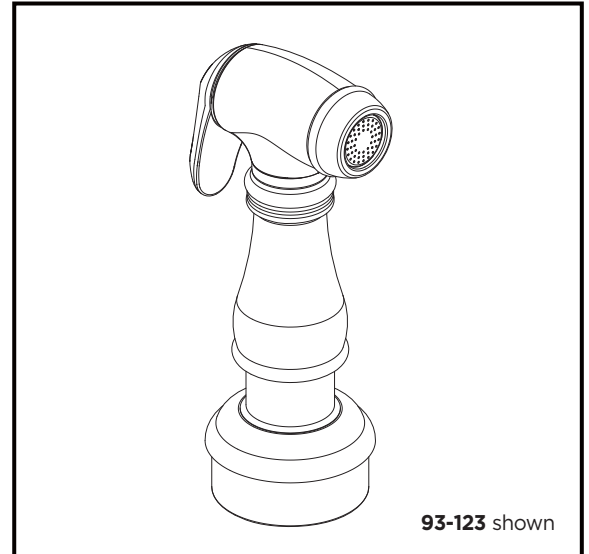
None

Suffixes Available:

None

Used in Faucet:

40-183 Brianne single handle kitchen faucet



Job Name	
Date	
Model Specified	
Quantity	
Customer	
Contractor	
Architect/engineer	



Kithcen Side Spray w/hose

Features:

- Metal construction
- Chrome, stainless steel or oil rubbed bronze finish available
- Max deck thickness 1 9/16"
- Hose length 47 1/8"
- 2.5 GPM (9.3 LPM) maximum @ 80 psi

Standards & Certifications:

None

Catalog Numbers:

- 93-259** Chrome
- 93-259-SS** Stainless steel
- 93-259-RB** Oil rubbed bronze

Prefixes Available:

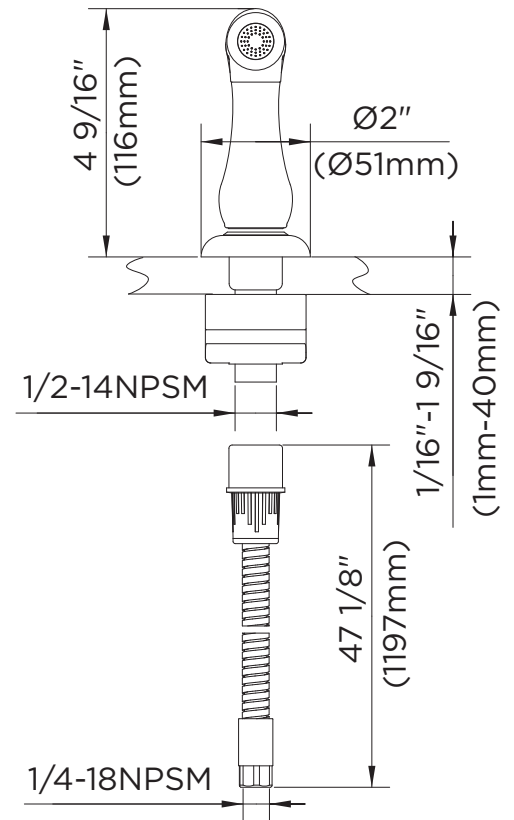
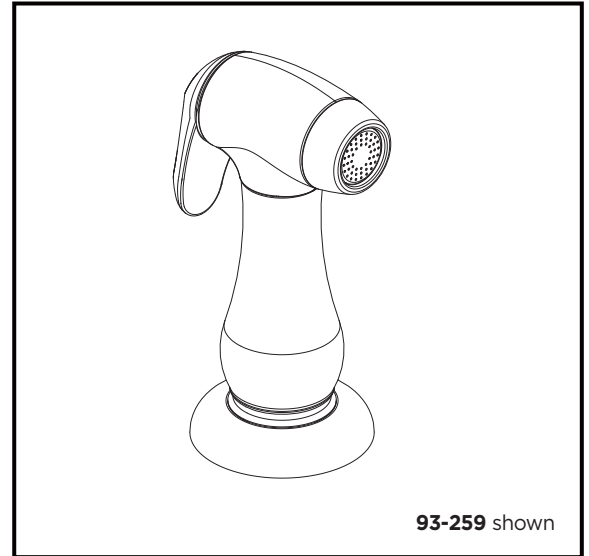
None

Suffixes Available:

None

Used in Faucet:

40-193 Abigail single handle kitchen faucet



Job Name	
Date	
Model Specified	
Quantity	
Customer	
Contractor	
Architect/engineer	



Kithcen Side Spray W/Hose

Features:

- Plastic construction
- Chrome or stainless steel finishes available
- Max deck thickness 2 1/2"
- Hose length 12"
- 2.5 GPM (9.3 LPM) maximum @ 80 psi

Standards & Certifications:

None

Catalog Numbers:

- 93-128** Chrome
93-128-SS Stainless steel

Prefixes Available:

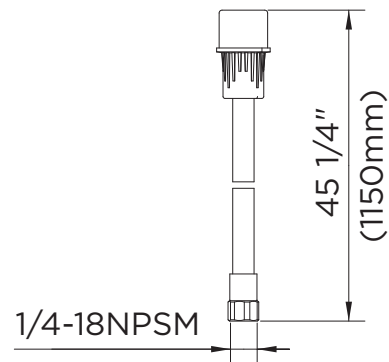
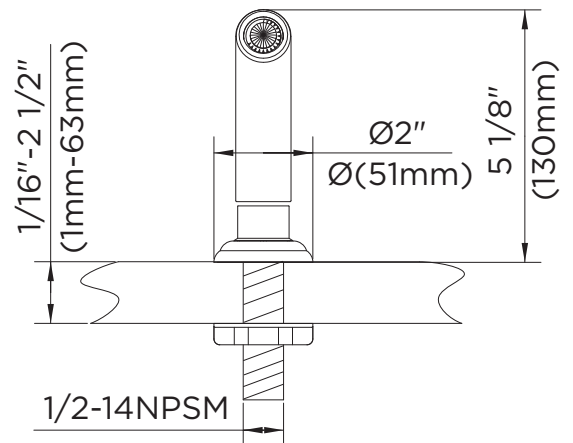
None

Suffixes Available:

None

Used in Faucet:

- C0-44-219** Commercial kitchen faucet
C4-44-219 Commercial kitchen faucet
C4-44-279 Commercial kitchen faucet
C0-44-279 Commercial kitchen faucet
40-163 Allerton single handle kitchen faucet
40-451 Allerton single handle kitchen faucet
40-351 Allerton single handle kitchen faucet



Job Name	
Date	
Model Specified	
Quantity	
Customer	
Contractor	
Architect/engineer	



GERBER

GA503000N

Kithcen Side Spray w/hose

Features:

- Plastic construction
- Chrome or stainless steel finish available
- Max deck thickness 15/16"
- Hose length 45 7/16"
- 2.5 GPM (9.3 LPM) maximum @ 80 psi

Standards & Certifications:

None

Catalog Numbers:

GA503000 Chrome

GA503000-SS Stainless steel

Prefixes Available:

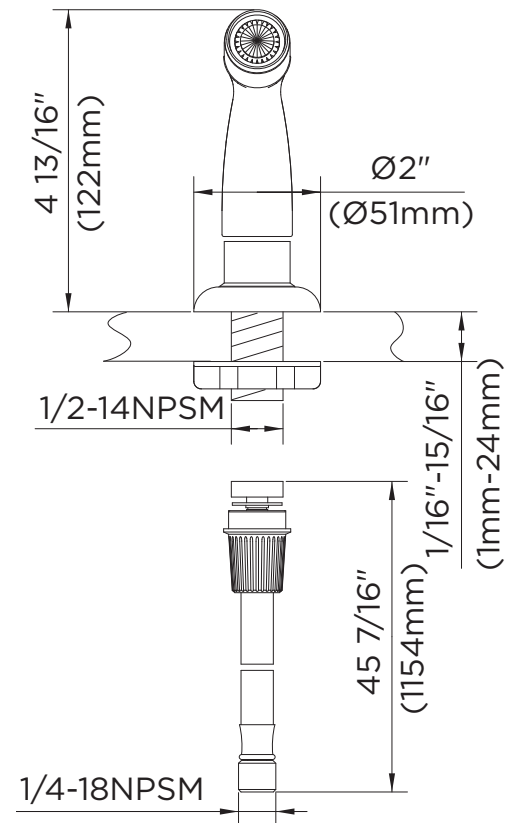
None

Suffixes Available:

None

Used in Faucet:

- 40-400** Hardwater single handle kitchen faucet
- 40-111** Maxwell single handle kitchen faucet
- 40-112** Maxwell single handle kitchen faucet
- 52-010** Hardwater single handle kitchen faucet
- 42-216** GerberClassic two handle kitchen faucet
- 42-516** GerberClassic two handle kitchen faucet
- 42-236** GerberClassic two handle kitchen faucet
- 42-526** GerberClassic two handle kitchen faucet
- 42-110** Maxwell two handle kitchen faucet
- 42-113** Maxwell two handle kitchen faucet



Job Name	
Date	
Model Specified	
Quantity	
Customer	
Contractor	
Architect/engineer	

Gerber Toll Free Technical Support: 888-648-6466
www.gerberonline.com